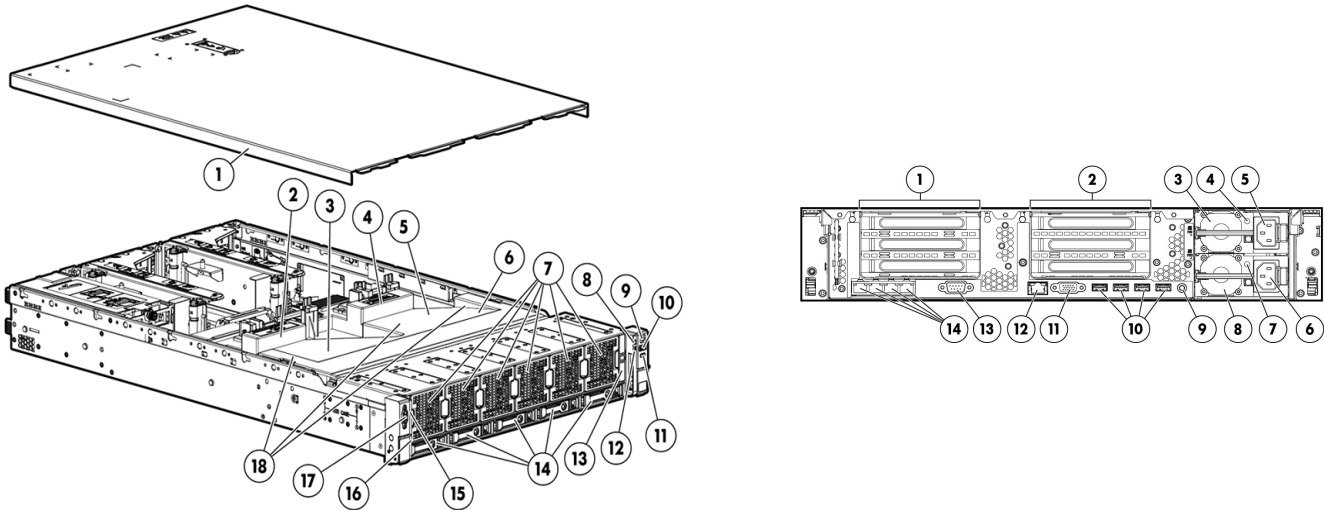


### Overview

The HP ProLiant DL560 Gen8 redefines density-optimized 4-socket rack server technology without compromising on performance, scalability, and expandability. Supporting the new high-density and cost effective Intel® Xeon® E5-4600v2 processors, the DL560 Gen8 is ideal for virtualization, database, business processing, and general 4P data-intensive applications where optimization of data center space and price/performance is paramount.

The server is packed with the latest HP innovative and intuitive hardware and software features. Hardware enhancements include the HP SmartDrive carriers, HP Smart Socket guide, HP SmartMemory, FlexibleLOM technology, "3D Sea of Sensors", the new embedded Smart Array P420i RAID controller, and more. Software enhancements include HP Integrated Lifecycle Automation, Dynamic Workload Acceleration, Automated Energy Optimization, Intelligent Provisioning, agentless hardware monitoring, and Active Health System.



#### Front View:

1. Quick removal access panel
2. First Processor
3. Second Processor
4. Third Processor
5. Fourth Processor
6. Air Baffle
7. Hot-plug fans, full N+1 redundancy
8. Health LED
9. Power On /Standby button and system power LED button
10. USB connector
11. Unit ID LED
12. Aggregate Network LED
13. Systems Insight Display
14. Drive Bays
15. Access Tag
16. USB connector
17. Video connector
18. 48 DIMM slots: DDR3 Registered (RDIMM)

#### Rear View:

1. PCIe 3.0 Slots 1, 2, 3-PCIe 2.0 top to bottom
2. PCIe 3.0 Slots 4-6 top to bottom
3. Power supply 1
4. Power supply 1 Power LED
5. Power supply 1 Power connection (with Intelligent PDU communication)
6. Power supply 2 Power connection (with Intelligent PDU communication)
7. Power supply 2 Power LED
8. Power supply 2
9. Unit ID LED/Button
10. USB connectors (4)
11. Video connector
12. iLO connector
13. Serial connector
14. FlexibleLOM ports (Shown: 4 ports 1Gb each /Optional: 2 ports 10Gb each)

### Overview

---

#### What's New

- Support for the Intel® Xeon® E5-4600 v2 processor product family.
- Support for DDR3-1600 1.35V memory.
- Support for DDR3-1866 1.5V memory.

### Standard Features

**NOTE:** For the Standard Features shipped in the "Factory Integrated Models", please see the "Configuration Information - Factory Integrated Models" section.

**Processor**

One or more of the following depending on model

**E5-4600 v2 series Processors**

**Twelve-Core Processors**

Intel® Xeon® E5-4657L v2 (2.4GHz/12-core/30MB/115W) Processor

**Ten-Core Processors**

Intel® Xeon® E5-4650 v2 (2.4GHz/10-core/25MB/95W) Processor

Intel® Xeon® E5-4640 v2 (2.2GHz/10-core/20MB/95W) Processor

**Eight-Core Processors**

Intel® Xeon® E5-4627 v2 (3.3GHz/8-core/16MB/130W) Processor

Intel® Xeon® E5-4620 v2 (2.6GHz/8-core/20MB/95W) Processor

Intel® Xeon® E5-4610 v2 (2.3GHz/8-core/16MB/95W) Processor

**Six-Core Processors**

Intel® Xeon® E5-4607 v2 (2.6GHz/6-core/15MB/95W) Processor

**Four-Core Processors**

Intel® Xeon® E5-4603 v2 (2.2GHz/4-core/10MB/95W) Processor

**E5-4600 series Processors**

**Eight-Core Processors**

Intel® Xeon® E5-4650 (2.7GHz/8-core/20MB/130W) Processor

Intel® Xeon® E5-4650L (2.6GHz/8-core/20MB/115W) Processor

Intel® Xeon® E5-4640 (2.4GHz/8-core/20MB/95W) Processor

Intel® Xeon® E5-4620 (2.2GHz/8-core/16MB/95W) Processor

**Six-Core Processors**

Intel® Xeon® E5-4617 (2.9GHz/6-core/15MB/130W) Processor

Intel® Xeon® E5-4610 (2.4GHz/6-core/15MB/95W) Processor

Intel® Xeon® E5-4607 (2.2GHz/6-core/12MB/95W) Processor

**Four-Core Processors**

Intel® Xeon® E5-4603 (2.0GHz/4-core/10MB/95W) Processor

### Standard Features

#### Cache Memory

One of the following depending on model

30MB Level3

**NOTE:** E5-4657L v2 processor

25MB Level3

**NOTE:** E5-4650 v2 processor

20MB Level3

**NOTE:** E5-4650, E5-4650L, E5-4640, E5-4640 v2, E5-4620 v2 processors

16MB Level3

**NOTE:** E5-4650, E5-4650L, E5-4640, E5-4640 v2, E5-4620 v2 processors

15MB Level3

**NOTE:** E5-4617, E5-4610, E5-4607 v2 processors

12MB Level3

**NOTE:** E5-4607 processor

10MB Level3

**NOTE:** E5-4603, E5-4603 v2 processors

**NOTE:** All processor models above list the L3 Cache associated with that particular processor.

---

#### Chipset

Intel® C600 Series Chipset

Intel® E5-4600 and E5-4600v2 Processor Family

**NOTE:** For more information regarding Intel chipsets, please see the following URL:

<http://www.intel.com/products/server/chipsets/>.

---

#### Upgradeability

Upgradeable to 4 processors (32 Cores with E5-4600; 48 Cores with E5-4600v2)

**NOTE:** Processor upgrade available from Intel® Xeon® Processors E5-4600 to E5-4600 v2. Please contact HP Technology Sales (<http://www.hp.com/support>), your local HP Re-seller, or reference the following Customer Advisory: ProLiant Servers-Instructions for Upgrading an HP ProLiant Gen8 Server from an Intel Xeon Processor E5-4600 to an Intel Xeon Processor E5-4600 v2, regarding critical details before upgrading. An explanation of requirements and limitations are provided.

Up to 48 DIMM slots available for higher Memory capacity

FlexibleLOM connector for 1 Gigabit or 10 Gigabit, QDR and FDR InfiniBand networking options

5SFF Hard drive bays

Optional 3 slot riser (x16, x8, x8), or 2 slot (x16, x16)

**NOTE:** To take advantage of the additional 3 PCI slot upgrade, the second processor must be installed.

Redundant Power Supply

---

#### On System Management Processor

HP iLO (Firmware: HP iLO 4)

**NOTE:** For more information, visit: <http://www.hp.com/go/ilo>

### Standard Features

#### Memory Protection

Data bus ECC Protection

**NOTE:** Data Bus ECC protection provides automatic correction from a single data bit error and detection of double data error bits. Often called single error correction/double error detection (SEC/DED).

Advanced ECC / SDDC

**NOTE:** Advanced ECC uses single device data correction (SDDC) to detect and correct single and all multi-bit error that occurs within a single DRAM chip. Both x4 and x8 SDDC are supported (x8 requires lockstep mode).

Online Spare

**NOTE:** Memory online spare mode (also known as rank spare mode) detects a rank that is degrading and switches operation to the spare rank.

Lock-step mode

**NOTE:** Memory Lockstep mode is used to correct a single x8 DRAM device failure on a DIMM. The DIMMs in each paired memory channel must have identical HP part numbers.

DIMM address/control bus parity protection

**NOTE:** Address parity protection available on RDIMMs and LRDIMMs detects address bit errors to improve service time and overall service availability.

Failed DIMM isolation

**NOTE:** Failed DIMM isolation improves the service time thus improving the overall system availability.

Demand and Patrol scrubbing

**NOTE:** Memory demand and patrol scrubbing prevent accumulation of correctable errors and reduces the likelihood of unplanned downtime.

Memory thermal control

**NOTE:** Memory thermal control is used to prevent DIMMs from overheating. Achieved by slowing down the memory access rate per the temperature monitored by DIMM sensor.

Memory mirroring inter-socket

**NOTE:** Memory mirroring inter-socket stores a copy of memory with dynamic failover in case of failure. Once a DIMM in a mirrored set is detected as failed, the mirror failover uses its mirrored DIMM.

---

#### Memory

One of the following depending on Model

Type	HP SmartMemory DDR3 Load Reduced (LRDIMM), Registered (RDIMM)
DIMM Slots Available	48 (12 DIMM slots per processor /4 channels per processor/3 DIMMs per channel)
Maximum Capacity	(RDIMM) 1.5TB (48x 32GB RDIMM @1600MHz) (LRDIMM) 1.5TB (48x 32GB LRDIMM @ 1866MHz)

**NOTE:** HP memory from previous generation servers are not qualified or warranted with this HP ProLiant Server. HP SmartMemory is required to realize the memory performance improvements and enhanced functionality listed in this document for Gen8. For additional information, please see the HP SmartMemory QuickSpecs at: [http://h18000.www1.hp.com/products/quickspecs/14225\\_na/14225\\_na.html](http://h18000.www1.hp.com/products/quickspecs/14225_na/14225_na.html)

**NOTE:** LRDIMM, RDIMM are all distinct memory technologies and cannot be mixed within a server. The majority of ProLiant Gen8 servers support RDIMM, UDIMM and LRDIMM.

**NOTE:** If only one processor is installed, only a quarter the DIMM slots are available. If only two processors are installed, only half the DIMM slots are available.

**NOTE:** Depending on the memory configuration and processor model, the memory speed may run at 1866MHz, 1600MHz, 1333MHz, or 1066MHz. Please see Memory Population Table or the Online Memory Configuration Tool at: [www.hp.com/go/ddr3memory-configurator](http://www.hp.com/go/ddr3memory-configurator).

### Standard Features

**Network Controller** HP ProLiant Gen8 servers offer a new networking technology - Flexible Network Technology. The HP ProLiant DL560 Gen8 server offers the customer the choice of 1 Gigabit and/or 10 Gigabit networking solutions. For additional details see the Networking Section of this document.

One of the following depending on Model	Entry Models	HP Ethernet 1Gb 4-port 331FLR Adapter
	Base Models	HP Ethernet 1Gb 4-port 331FLR Adapter
	High Performance Models	HP Ethernet 1Gb 4-port 331FLR Adapter HP Ethernet 10Gb 2-port 530FLR-SFP+ Adapter

### Expansion Slots

Primary Riser (Standard)	Expansion Slots #	Technology	Bus Width**	Connector Width*	Bus Number*	Form Factor	Notes
	1	PCIe 3.0	X16	X16	7	Full Length, Full Height Slot	Proc 1
	2	PCIe 3.0	X8	X8	10	Half Length, Full Height Slot	Proc 1
	3	PCIe 2.0	X4	X8	13	Half Length, Full Height Slot	Chipset

\* Default bus assignment (in decimal). Inserting cards with PCI bridges may alter the actual bus assignment number

\*\* Indicates the number of physical electrical lanes running to the connector.

**NOTE:** When populating the second optional riser slot, the second processor must be installed.

**NOTE:** Up to two 150w PCIe cards are supported, but an additional Power Cord Option is required (PN 669777-B21). See Option Section below for offering.

PCIe Riser (Optional 3-slot)	Expansion Slots #	Technology	Bus Width**	Connector Width*	Bus Number*	Form Factor	Notes
	4	PCIe 3.0	X16	X16	16	Full length, full height slot	Proc 2
	5	PCIe 3.0	X8	X8	20	Half length, full height slot	Proc 2
	6	PCIe 3.0	X8	X8	23	Half length, full height slot	Proc 2

\* Default bus assignment (in decimal). Inserting cards with PCI bridges may alter the actual bus assignment number

\*\* Indicates the number of physical electrical lanes running to the connector.

**NOTE:** When populating the second optional riser slot, the second processor must be installed.

**NOTE:** Up to two 150w PCIe cards supported, but an additional Power Cord Option is required (669777-B21). See Option Section below for offering

PCIe Riser (Optional 2-slot)	Expansion Slots #	Technology	Bus Width**	Connector Width*	Bus Number*	Form Factor	Notes
	4	PCIe 3.0	X16	X16	16	Full length, Full height slot	Proc 2
	5	PCIe 3.0	X16	X16	20	Half Length, Full Height	Proc 2

### Standard Features

- \* Default bus assignment (in decimal). Inserting cards with PCI bridges may alter the actual bus assignment number
- \*\* Indicates the number of physical electrical lanes running to the connector.

#### HP Server ROM

HP ROM (Read Only Memory) is now digitally signed using HP's Corporate Signing Service. This signature is verified before the flash process starts, reducing accidental programming and preventing malicious efforts to corrupt system ROM.

HP ROM provides for essential initialization and validation of hardware components before control is passed to the customer-installed operating system. The ROM also provides the capability of booting from various fixed media (HDD, CD-ROM) and removable media (USB), to continue operation to the operating system.

HP ROM performs very early configuration of the video controller, to allow monitoring of initialization progress via an attached monitor. If configuration or hardware errors are discovered during this early phase of hardware initialization, suitable messages are now displayed on the connected monitor. Additionally, these configuration or hardware errors are logged to the Integrated Management Log (IML) to assist in diagnosis.

HP's ProLiant ROM is used to configure the following:

- Processor and chipset status registers
- System memory, memory map, and memory initialization
- System hardware configuration (Integrated PCI devices and optional PCIe cards).
- Customer-specific BIOS configuration (using the HP ROM-Based Setup Utility (RBSU)).

**NOTE:** For further information, please refer to HP's RBSU (ROM based setup utility) user guide: [www.hp.com/support/rbsu](http://www.hp.com/support/rbsu).

#### Storage Controller One of the following depending on Model

Entry Model	HP Smart Array P420i/ZM (RAID 0/1/1+0)
Base Model	HP Smart Array P420i/1GB with FBWC (RAID 0/1/1+0/5/5+0/6/6+0)
Performance Model	HP Smart Array P420i/2GB with FBWC (RAID 0/1/1+0/5/5+0/6/6+0)

#### Internal Storage Devices

Diskette Drive	None
Optical Drive	None ship standard *Optional: USB DVD-RW available
Hard Drives	None ship standard
Drive Bays	Standard: 5SFF drive bays total

**NOTE:** All Pre-configured Models come populated with some hard drive blanks installed. Should the customer need additional hard drive blanks, they can order more using P/N 666987-B21: HP SFF Gen8 Hard Drive Blank Kit. These part numbers for single HDD blanks below are also provided should the customer require replacement HDD blanks for their server.

### Standard Features

<b>Maximum Internal Storage</b>	Hot Plug SFF SAS	6.0TB	5 x 1.2TB
	Hot Plug SFF SAS SSD	4.0TB	5 x 800GB
	Hot Plug SFF SATA SSD	2.0TB	5 x 400GB

<b>Interfaces</b>	Serial	1	
	Video	2 (1 front, 1 back) not active simultaneously	
	FlexibleLOM Network Ports	Some models come standard with 4 x 1GB ports while others come with 2 x 10GB ports (See HP Networking section below for more details and options).	
	HP iLO Remote Management Network Port	1 Gb Dedicated	
	Micro SD slot	1 Internal Secure <b>NOTE:</b> The SD slot is not a hot-pluggable device. Customers should not attempt to plug an SD card into the SD slot while the server is powered.	
	USB 2.0 Ports	7 total: 2 front, 4 back, 1 internal	

<b>Industry Standard Compliance</b>	ACPI 2.0b Compliant
	PCIe 3.0 Compliant
	PXE Support
	WOL Support
	Microsoft® Logo certifications
	USB 2.0 Compliant

<b>Server Power Cords</b>	All Pre-configured servers ship with a high voltage server-to-PDU power cord.
	<b>NOTE:</b> HP ProLiant DL servers no longer ship standard with a 12-foot NEMA 5-15P to C13 power cord that connects to 110V US wall outlets in a home or office. ProLiant DL servers are primarily connected to power distribution units (PDUs) in data center racks and now ship standard with a PDU 6-foot C-14 to C13 power cord (AOK02A). If a user wishes to power a ProLiant DL server using a 110V receptacle (NEMA-15), the 6-foot NEMA 5-15 to C13 power cord must be ordered separately (AF556A). See Power Cords section for Worldwide Power Cord options.

<b>Power Specifications</b>	To review typical system power ratings use the HP Power Advisor which is available via the online tool located at URL: <a href="http://www.hp.com/go/proliant-energy-efficient">www.hp.com/go/proliant-energy-efficient</a> or <a href="http://www.hp.com/go/hppoweradvisor">www.hp.com/go/hppoweradvisor</a> .
	<b>NOTE:</b> Power Specification and Technical Content for supported power supplies can be found at: <a href="http://h18000.www1.hp.com/products/quickspecs/14209_na/14209_na.html">http://h18000.www1.hp.com/products/quickspecs/14209_na/14209_na.html</a>



### Standard Features

#### Common Slot Power Supply

HP's Common Slot (CS) power supplies allow for commonality of power supplies across a wide range of ProLiant and Integrity servers, as well as HP Storage solutions, and are designed to provide the highest power supply efficiency without degrading system performance. HP CS power supplies are tested by the Electric Power Research Institute (EPRI) and certified through the ECOS 80 Plus power supply program. HP CS power supply options provide efficiency ratings of up to 94% (80 Plus Platinum) and are available in up to 1200W power output. All HP Common Slot power sources are UL, CE Mark Compliant, hot-plug and support redundant configurations.

**NOTE:** Mixing of power supplies in the same server is not supported. All power supplies must be of the same output and efficiency rating. If non-matched power supplies are inserted you will get errors and operation will fail.

HP CS Platinum Plus power supplies are required when enabling HP's Intelligent Power Discovery (IPD) solution. IPD is the first technology to create an automated, energy-aware network between IT systems and facilities. This allows your company to reclaim millions of dollars in wasted power capacity and downtime costs across data centers. For more information on HP's IPD solution, go to [www.hp.com/go/ipd](http://www.hp.com/go/ipd).

It is highly recommended that you use the HP Power Advisor in defining the "Right-Size" power supply for your needs. HP Power Advisor can be accessed at: [www.hp.com/go/hppoweradvisor](http://www.hp.com/go/hppoweradvisor).

**NOTE:** The 80 PLUS program is a unique forum that unites electric utilities, the computer industry, and consumers in an effort to bring energy efficient technology solutions to the marketplace. 80 Plus independently tests power supply efficiency and publicly posts the results on [80Plus.org](http://80Plus.org). Redundant Power: Optional (1+1 or n+n redundant) power supplies can be purchased through power supply option kits (see Power Supplies for part numbers).

**NOTE:** Power Specification and Technical Content for supported power supplies can be found at: [http://h18000.www1.hp.com/products/quickspecs/14209\\_na/14209\\_na.html](http://h18000.www1.hp.com/products/quickspecs/14209_na/14209_na.html)

---

#### System Fans

6 fans (N+1 redundancy standard)

---

#### Required Cabling

For required cabling information, refer to the HP Web site at: [www.hp.com/servers/dl560-gen8](http://www.hp.com/servers/dl560-gen8).

---

#### Operating Systems and Virtualization Software Support for ProLiant Servers

[Microsoft Windows Server](#)  
[Red Hat Enterprise Linux \(RHEL\)](#)  
[SUSE Linux Enterprise Server \(SLES\)](#)  
[Oracle Solaris](#)  
[VMware](#)  
[Citrix XenServer](#)

**NOTE:** For more information on HP's Certified and Supported ProLiant Servers for OS and Virtualization Software and latest listing of software drivers available for your server, please visit our Support Matrix at: <http://www.hp.com/go/ossupport> and our driver download page: <http://www.hp.com/support/DL560Gen8>

### Standard Features

#### Graphics

Integrated Matrox G200 video standard

- 1280 x 1024 (32 bpp)
- 1920 x 1200 (16 bpp)

HP iLO 4 On System Management Memory

- 16 MB Flash
- 256 MB DDR 3 with ECC (112 MB after ECC and video)

#### Form Factor

2U Rack form factor, ships with ball bearing rails and cable management system

**NOTE:** Gen8 rail kits have changed significantly from prior generation rail kits. Please take a moment to review the installation documentation that comes with the server to help you with the installation of your Gen8 server.

**CAUTION:** HP recommends that at least two people are used for all rack server installations. Please refer to your installation instructions for proper tools and number of people to use for any installation.

3.44 (8.74 cm) Height x 17.54" (44.55 cm) Width x 29.5" (74.94 cm) Length

#### On System Management

HP iLO Management Engine

HP iLO Management Engine is a comprehensive set of embedded management features supporting the complete lifecycle of the server, from initial deployment, through ongoing management, to service alerting and remote support. HP iLO Management Engine comes standard on all HP ProLiant Gen8 servers. The HP iLO Management Engine portfolio includes:

- **HP iLO:** The HP iLO (Integrated Lights-Out) management processor is the core foundation for the HP iLO Management Engine
- **HP Agentless Management:** Provides built in server health monitoring and alerting capability without OS agents, that starts working the moment a power cord and an Ethernet cable are connected.
- **HP Active Health System:** Always on, continuous monitoring for increased stability and shorter downtimes; 100% configuration history; Health and service alerts and easy export and upload to Service and Support.
- **HP Intelligent Provisioning:** Lets customers provision and configure a single server without any separate media. No more SmartStart CDs or Smart Update Firmware DVD are needed.
  - To start Intelligent Provisioning:
    - Press the F10 key during the ProLiant Gen8 server boot process (also known as power on self test or POST).
    - Please go to the Intelligent Provisioning website at [www.hp.com/go/intelligentprovisioning](http://www.hp.com/go/intelligentprovisioning) for additional information and to view usage videos.
    - Use the Service Pack for ProLiant (SPP) at [www.hp.com/go/spp](http://www.hp.com/go/spp) to get firmware and software updates.
- **HP iLO Mobile App:** Enables the ability to access, deploy, and manage your server anytime from anywhere from select smartphones and mobile devices. For additional information please visit: [www.hp.com/go/ilo/mobileapp](http://www.hp.com/go/ilo/mobileapp)

### Standard Features

---

**NOTE:** For more information, visit: <http://www.hp.com/go/ilo> or HP iLO Management Engine technologies whitepaper

---

#### **HP Insight Management**    HP Service Pack for ProLiant

HP Service Pack for ProLiant (SPP) and HP Smart Update Manager (HP SUM) version 5 provide a new, comprehensive approach to firmware and system software maintenance. Together they provide better operating stability and ensure maximum uptime. The SPP will be updated at a predictable cadence, typically coinciding with new HP server hardware launches. By enabling firmware to be updated online and integrating firmware and system software updates in one operation HP SUM and the SPP offer faster updates of individual servers and dramatically faster updates of entire BladeSystem enclosures. Further improving system uptime and stability is the fact that HP provides 12 months of support on each Service Pack for ProLiant.

The user experience around HP SUM and the SPP has been improved in several ways, starting with the web download. A single web page provides access to a single download containing both the latest version of HP SUM version 5 and the latest SPP. Optional smaller subsets with only specific types of servers or specific operating systems are offered to save on download time. The HP SUM application has been re-written to provide a more straightforward, intuitive user interface that guides the user through the steps of discovery, analyses and update, providing comprehensive information on available updates, criticality and interdependencies. This information is also available in reports. By providing the option of multiple local or shared repositories which can be easily updated from hp.com, HP SUM provides the tools to optimize stability and consistency throughout the company. While HP SUM and the SPP will recommend the combinations of firmware and system software that HP has found to be the best practice, the application gives customers the flexibility to set their own specific baseline.

The Service Pack for ProLiant has been rigorously tested with specific attention for interaction between firmware, drivers and agents both within the server as well as in interaction with the BladeSystem enclosure components (Onboard Administrator and Virtual Connect). This testing ensures the highest quality as well as providing the input for HP SUM to deploy updates taking into account all interdependencies, when determining the correct updates and order of update deployment.

**NOTE:** The Service Pack for ProLiant (which includes HP SUM 5) can be downloaded from: [www.hp.com/go/spp/download](http://www.hp.com/go/spp/download). More information can be found: <http://www.hp.com/go/spp> and <http://www.hp.com/go/hpsum>

---

### Standard Features

#### HP StoreVirtual VSA

HP StoreVirtual VSA allows you to create fully featured shared storage on a VMware vSphere or Microsoft Hyper-V virtualized server. This server model starting November 2013, includes a limited license for HP StoreVirtual VSA software with 1TB of capacity. To download the license key and StoreVirtual VSA software, visit [www.hp.com/go/unlockVSA](http://www.hp.com/go/unlockVSA).

**NOTE:** You will need your server serial number in order to complete the registration form.

Fully functional, capacity-based licenses are available in 4TB, 10TB, and 50TB sizes. For more information and access to the 60-day free trial, visit: [www.hp.com/go/tryVSA](http://www.hp.com/go/tryVSA)

---

#### Security

Power-on password  
Serial interface control  
Administrator's password

---

#### Warranty

This product is covered by a global limited warranty and supported by HP Services and a worldwide network of HP Authorized Channel Partners resellers. Hardware diagnostic support and repair is available for three years from date of purchase. Support for software and initial setup is available for 90 days from date of purchase. Enhancements to warranty services are available through HP Care Pack services or customized service agreements. Hard drives have either a one year or three year warranty; refer to the specific hard drive QuickSpecs for details.

**NOTE:** Server Warranty includes 3-Year Parts, 3-Year Labor, 3-Year Onsite support with next business day response. Warranty repairs may be accomplished through the use of Customer Self Repair (CSR) parts. These parts fall into two categories: 1) Mandatory CSR parts are designed for easy replacement. A travel and labor charge will result when customers decline to replace a Mandatory CSR part; 2) Optional CSR parts are also designed for easy replacement but may involve added complexity. Customers may choose to have HP replace Optional CSR parts at no charge. Additional information regarding worldwide limited warranty and technical support is available at:

<http://h18004.www1.hp.com/products/servers/platforms/warranty/index.html>

### Optional Features

<b>HP Insight management</b>	HP Insight Control	<p>HP Insight Control, a product option, delivers essential infrastructure management that can help save time and money by making it easy to deploy, migrate, monitor, remote control, and optimize your IT infrastructure through a single, simple management console. HP Insight Control also supports Location and Power Discovery Services to automate many configuration, asset tracking, and power management tasks to speed implementation and prevent downtime. For more information, see <a href="http://www.hp.com/go/insightcontrol">http://www.hp.com/go/insightcontrol</a>.</p> <p>HP Insight Control includes one year of 24 x 7 HP Software Technical Support and Update Service ensuring rapid access to HP support staff and proactive delivery of software updates. For more information about this service, see: <a href="http://www.hp.com/services/insight">http://www.hp.com/services/insight</a>.</p>
	HP iLO Advanced HP Integrated Lights-Out	<p>Advanced License a product option, providing smart remote server management without compromise. iLO Advanced unlocks the full set of remote administration functionality for all HP ProLiant servers by activating the full Virtual Keyboard Video and Mouse remote console, multi-user collaboration, console record and replay, GUI-based and scripted virtual media and virtual folders, and enhanced security and power management functionality. For more information, see: <a href="http://www.hp.com/go/iloadvance">http://www.hp.com/go/iloadvance</a></p>
	HP Matrix Operating Environment	<p>The HP Matrix Operating Environment (Matrix OE) for ProLiant and Integrity servers is an integrated command center that helps you instantly adjust to dynamic business demands. This advanced infrastructure management software lets you reduce the cost of common data center tasks by up to 40 percent while keeping pace with your changing business.</p> <p>The HP Matrix OE includes the automated provisioning, optimization, and recovery management capabilities for HP CloudSystem Matrix, the ideal platform for private cloud and Infrastructure as a Service (IaaS).</p> <p><b>NOTE:</b> For more information, visit: <a href="http://www.hp.com/go/matrixoe">http://www.hp.com/go/matrixoe</a></p>
<b>High Performance Clusters</b>	HP Cluster Platforms	<p>HP Cluster Platforms are specifically engineered, factory-integrated large-scale ProLiant clusters optimized for High Performance Computing, with a choice of servers, networks and software. Operating system options include specially priced offerings for Red Hat Enterprise Linux and SUSE Linux Enterprise Server, as well as Microsoft Windows HPC Server. A Cluster Platform Configurator simplifies ordering. <a href="http://www.hp.com/go/clusters">http://www.hp.com/go/clusters</a></p>
	HP HPC Interconnects	<p>High Performance Computing (HPC) interconnect technologies are available for this server as part of the HP Cluster Platform portfolio. These high-speed InfiniBand and Gigabit interconnects are fully supported by HP when integrated within an HP cluster. Flexible, validated solutions can be defined with the help of configuration tools. <a href="http://www.hp.com/techservers/clusters/ucp/index.html">http://www.hp.com/techservers/clusters/ucp/index.html</a></p>

### Optional Features

HP Insight Cluster Management Utility	HP Cluster Management Utility (CMU) is an HP-licensed and HP-supported suite of tools that are used to manage large-scale Linux ProLiant systems. CMU includes software for the centralized provisioning, management and monitoring of nodes. CMU makes the administration of clusters user friendly, efficient, and effective. <a href="http://www.hp.com/go/cmu">http://www.hp.com/go/cmu</a>
HP HPC Linux Value Pack	HP HPC Linux Value Pack (Value Pack) is an HP-licensed and HP-supported option to HP Insight CMU, for the development and deployment of applications on HPC Cluster Platforms. Value Pack includes the Platform LSF workload scheduler and Platform Application Center, as well as the HP-MPI parallelization library. <a href="#">HP HPC Linux Value Pack</a>

### Storage Software

Whether you need to solve a specific data protection, archiving, or storage command and control challenge, or deliver on strategic consolidation, compliance, or continuity initiatives, look no further than HP storage software. Our storage software helps you reduce costs, simplify storage infrastructure, protect vital assets and respond faster to business opportunities.

Storage software that gets the job done:

- **Data Protection and Recovery Software**  
Whether you're a large enterprise or a smaller business, HP data protection and recovery software will cost-effectively protect you against disaster and ensure business continuity.
- **Data Archive and Migration Software**  
HP's storage software enables you to comply with data retention and retrieval requirements, improve application performance, and reduce costs by efficiently migrating infrequently accessed or less valuable data to lower cost storage.
- **Storage Resource Management Software (SRM)**  
HP's storage resource management software reduces operational costs and provides the command and control foundation you need to efficiently manage and visualize your physical and virtual environments.
- **Data Replication Software**  
HP offers array-based and host-based replication HP software for use in disaster recovery, testing, application development and reporting.
- **Storage Device Management Software**  
Maximize your investment in HP storage and networking with software that enables hardware-specific configuration, performance tuning and connectivity management.
- **HP StoreVirtual VSA**  
With HP StoreVirtual VSA you can use the power of virtualization to turn a set of heterogeneous and disconnected physical disk drives in your servers and storage devices into a single pool of logical storage capacity.

**NOTE:** For more information available Storage Software including QuickSpecs, please see: [www.hp.com/go/storage/software](http://www.hp.com/go/storage/software).

### Optional Features

#### HP Insight Online

HP Insight Online is a new addition to the HP Support Center for one stop, secure access to product and HP support information personalized to your IT environment. Insight Online can automatically display devices remotely monitored by HP Insight Remote Support. With Insight Online's easy navigation you can efficiently track your IT support contracts and device status from anywhere and at anytime.

[www.hp.com/go/insightonline](http://www.hp.com/go/insightonline)

#### HP Proactive Insight experience

Prevent problems with innovative, automated monitoring tools and proactive services. The HP Proactive Insight experience consist of using Insight Online, Insight Remote Support, and Proactive Care Support Service as one integrated solution. The Proactive Insight experience provides you with expert advice and personalized, cloud-based automated IT support, helping to prevent unplanned down time and solve problems quickly. For more information, visit: [www.hp.com/go/proactiveinsightexperience](http://www.hp.com/go/proactiveinsightexperience)

#### Factory Express Portfolio for Servers and Storage

HP Factory Express offers configuration, customization, integration and deployment services for HP servers and storage products. Customers can choose how their factory solutions are built, tested, integrated, shipped and deployed.

Factory Express offers service packages for simple configuration, racking, installation, complex configuration and design services as well as individual factory services, such as image loading, asset tagging, and custom packaging. HP products supported through Factory Express include a wide array of servers and storage: HP Integrity, HP ProLiant, HP ProLiant Server Blades, HP BladeSystem, HP 9000 servers as well as the MSAxxxx, VA7xxx, EVA, XP, rackable tape libraries and configurable network switches.

For more information on Factory Express services for your specific server model please contact your sales representative or go to: <http://www.hp.com/go/factory-express>.

#### HP Simple Configurator

SCE is a guided self-service tool to help sales and non-technical people provide customers with initial configurations in 3 to 5 minutes. You may then send the configuration on for configuration help, or use in your existing ordering processes. If you require "custom" rack configuration or configuration for products not available in SCE, please contact HP's Customer Business Center or an Authorized Partner for assistance. <http://www.hp.com/products/configurator>

### Service and Support

#### Service and Support

##### **HP Technology Services for Industry Standard Servers**

Capitalizing on HP ProLiant server and HP BladeSystem capabilities requires a service partner who understands your increasingly complex business technology environment. That's why it makes sense to team up with the people who know HP infrastructure hardware and software best - the experienced professionals at HP Services.

##### **Protect your business beyond warranty with HP Care Pack Services**

HP Care Pack services offer complete care and support expertise with committed response choices designed to meet your IT and business needs.

HP Foundation Care services offer scalable reactive support-packages for HP industry-standard servers and software. You can choose the type and level of service that is most suitable for your IT and business needs. HP Proactive Care delivers high levels of system availability through proactive service management and advanced technical response.

### Recommended HP Care Pack Services for your HP product

#### Optimized Care

##### **3-Year HP 6 hour Call to Repair Response, Proactive Care**

Combined reactive and proactive support for hardware and software helping optimize your systems and delivering high levels of availability through proactive service management and advanced technical response. Hardware problem resolution to return the hardware in operating condition within 6 hours of the initial service request. A Technical Account Manager, as your single point of contact, will own your call or issue end to end until resolved.

<http://h20195.www2.hp.com/v2/GetPDF.aspx/4AA3-8855EEE.pdf>

##### **HP ProLiant Server Hardware Installation**

Provides for the basic hardware installation of HP branded servers, storage devices and networking options to assist you in bringing your new hardware into operation in a timely and professional manner

<http://h20195.www2.hp.com/v2/GetPDF.aspx/5981-9356EN.pdf>

##### **HP Installation and Startup for Insight Control Software / HP SIM**

Provides for the deployment and basic configuration of HP Insight Control or HP SIM (Systems Insight Manager) on HP ProLiant ML and DL series servers or HP BladeSystem servers

<http://h20195.www2.hp.com/v2/GetPDF.aspx/4AA0-9972ENW.pdf>

#### Standard Care

##### **3-Year HP 24x7 4 hour response, Proactive Care Service**

This service gives you combined reactive and proactive support including rapid access to our Advanced Solution Center to manage and prevent problems and a Technical Support Specialist with a broad level of technical knowledge that will engage with additional technical expertise as needed from HP's vast global resources.

<http://h20195.www2.hp.com/v2/GetPDF.aspx/4AA3-8855EEE.pdf>

##### **HP ProLiant Server Hardware Installation**

Provides for the basic hardware installation of HP branded servers, storage devices and networking options to assist you in bringing your new hardware into operation in a timely and professional manner

<http://h20195.www2.hp.com/v2/GetPDF.aspx/5981-9356EN.pdf>

##### **HP Installation and Startup for Insight Control Software / HP SIM**

Provides for the deployment and basic configuration of HP Insight Control or HP SIM (Systems Insight Manager) on HP ProLiant ML and DL series servers or HP BladeSystem servers

<http://h20195.www2.hp.com/v2/GetPDF.aspx/4AA0-9972ENW.pdf>



### Service and Support

#### **3-Year HP 24x7 4 hour Response, Collaborative Support**

Provides problem resolution support across the stack of HW, firmware, and HP and 3rd party SW. In case the issue is with 3rd party SW, HP does known issue resolution. If HP cannot solve the issue, it will contact the third-party vendor and create a problem incident on your behalf.

<http://h20195.www2.hp.com/V2/GetPDF.aspx/4AA3-8232ENW.pdf>

**Additional Services:** Software support service with 24X7 availability with a 2 hour response, Training courses on Microsoft, Linux (Red Hat and SUSE), VMware, and HP Insight Software, 10 Proactive Select Credit package, Factory Express

<http://www8.hp.com/us/en/business-services/it-services.html?compURI=1078865>

#### **Related Services**

#### **HP Proactive Care Personalized Support - Environmental Option**

The Personalized Support option provides an assigned Account Support Manager who can bring best practices from across the industry plus extra technical skills to your IT team. This option is only available as an add-on to HP Proactive Care Support.

#### **HP Proactive Select Service**

Provides a flexible way to purchase HP best-in-class consultancy and technical services. You can buy Proactive Select Service Credits when you purchase your hardware and then use the credits over the next 12 months. <http://h20195.www2.hp.com/V2/GetPDF.aspx/4AA2-3842ENN.pdf>

Additional HP Care Pack services can be found at:

<http://www.hp.com/go/cpc>

#### **Insight Online/Insight Remote Support**

HP Insight Remote Support provides 24 X 7 remote monitoring, proactive notifications, and problem resolution. This comes at no additional cost with your HP solution. Learn more about Insight Remote Support <http://www.hp.com/go/insightremotesupport> and Insight Online <http://www.hp.com/go/insightonline>

**NOTE:** Insight Remote Support is a prerequisite for Proactive Care.

#### **HP Support Center**

Personalized online support portal with access to information, tools and experts to support HP business products. Submit support cases online, chat with HP experts, access support resources or collaborate with peers. Learn more <http://www.hp.com/go/hpsc>

HP's Support Center Mobile App allows you to resolve issues yourself or quickly connect to an agent for live support. Now, you can get access to personalized IT support anywhere, anytime.

HP Insight Remote Support and HP Support Center are available at no additional cost with a HP warranty, HP Care Pack or HP contractual support agreement.

**NOTE:** HP Support Center Mobile App is subject to local availability.

#### **Parts and Materials**

HP will provide HP-supported replacement parts and materials necessary to maintain the covered hardware product in operating condition, including parts and materials for available and recommended engineering improvements.

Parts and components that have reached their maximum supported lifetime and/or the maximum usage limitations as set forth in the manufacturer's operating manual, product quick-specs, or the technical product data sheet will not be provided, repaired, or replaced as part of these services.

The defective media retention service feature option applies only to Disk or eligible SSD/Flash Drives replaced by HP due to malfunction.

### Service and Support

**For more information**

To learn more on HP ProLiant servers and HP BladeSystem servers, please contact your HP sales representative or HP Authorized ServiceOne Channel Partner. Or visit:

<http://www.hp.com/services/proliant>

### Pre-configured Models

**NOTE:** For the Standard Features shipped in the "Factory Integrated Models", please see the "Configuration Information - Factory Integrated Models" section.

**NOTE:** Pre-configured models ship with the configurations below. Options can be selected from the Core or Additional options section of this QuickSpecs.

**NOTE:** HP does not allow factory integration of options into pre-configured models. Any additional options purchased will be shipped separately.

**NOTE:** If you desire a custom configuration please see "Configuration Information - Factory Integrated Models" section of this QuickSpecs.

**NOTE:** All Pre-configured Models come populated with some hard drive blanks installed. Should the customer need additional hard drive blanks, they can order more using either P/N 666987-B21: HP SFF Gen8 Hard Drive Blank Kit or P/N 666986-B21: HP LFF Gen8 Hard Drive Blank Kit.

### Entry Models

<b>HP ProLiant DL560 Gen8 E5-4603 2P 16GB-R Hot Plug SFF 1200W PS Server</b> 686786-001	<b>Processor(s)</b>	(2) Intel® Xeon® E5-4603 (2.0GHz/4-core/10MB/6.4GT-s QPI/95W) Processors
	<b>Cache Memory</b>	10MB (1x10MB) Level 3
	<b>Memory</b>	16GB (2x8GB) PC3L-10600R (DDR3-1333) Registered DIMMS <b>NOTE:</b> Total 48 DIMM slots available with processor upgrade (4P configuration)
	<b>Network Controller</b>	HP Ethernet 1Gb 4-port 331FLR Adapter
	<b>Storage Controller</b>	HP Smart Array P420i/ZM (RAID 0/1/1+0)
	<b>Hard Drives</b>	None ship standard
	<b>Internal Storage</b>	Standard: 5 SFF SAS HDD Bays; includes 3 SFF hard drive blanks
	<b>Optical Drive Bay</b>	Optional External USB Optical Drive (Mobile USB DVDRW Optical Drive)
	<b>PCI-Express Slots</b>	3 PCIe slots (Up to 3 additional PCIe slots available with optional riser)
	<b>Power Supply</b>	(1) HP 1200W Common Slot Platinum Plus Hot Plug Power Supply (94% Efficient)
	<b>Fans</b>	(6) (N+1 redundancy standard)
	<b>Management</b>	HP iLO Management Engine (standard) Optional: HP iLO Advanced or HP Insight Control
	<b>Form Factor</b>	Rack (2U), HP Ball Bearing Rail Kit/Cable Management Arm Standard
	<b>Warranty</b>	Server Warranty includes 3-Year Parts, 3-Year Labor, 3-Year Onsite support with next business day response.

### Pre-configured Models

<b>HP ProLiant DL560 Gen8 E5-4603v2 2P 16GB-R Hot Plug SFF 1200W RPS Server</b> 732024-001	<b>Processor(s)</b>	(2) Intel® Xeon® E5-4603 v2 (2.2GHz/4-core/10MB/6.4GT-s QPI/95W) Processors
	<b>Cache Memory</b>	10MB (1x10MB) Level 3
	<b>Memory</b>	16GB (2x8GB) PC3L-12800R (DDR3-1600) Registered DIMMS <b>NOTE: Total 48 DIMM slots available with processor upgrade (4P configuration)</b>
	<b>Network Controller</b>	HP Ethernet 1Gb 4-port 331FLR Adapter
	<b>Storage Controller</b>	HP Smart Array P420i/ZM (RAID 0/1/1+0)
	<b>Hard Drives</b>	None ship standard
	<b>Internal Storage</b>	Standard: 5 SFF SAS HDD Bays; includes 3 SFF hard drive blanks
	<b>Optical Drive Bay</b>	Optional External USB Optical Drive (Mobile USB DVDRW Optical Drive)
	<b>PCI-Express Slots</b>	3 PCIe slots (Up to 3 additional PCIe slots available with optional riser)
	<b>Power Supply</b>	(1) HP 1200W Common Slot Platinum Plus Hot Plug Power Supply (94% Efficient)
	<b>Fans</b>	(6) (N+1 redundancy standard)
	<b>Management</b>	HP iLO Management Engine (standard) Optional: HP iLO Advanced or HP Insight Control
	<b>Form Factor</b>	Rack (2U), HP Ball Bearing Rail Kit/Cable Management Arm Standard
	<b>Warranty</b>	Server Warranty includes 3-Year Parts, 3-Year Labor, 3-Year Onsite support with next business day response.

### Base Models

<b>HP ProLiant DL560 Gen8 E5-4610 2P 32GB-R Hot Plug SFF 1200W PS Server</b> 686785-001	<b>Processor(s)</b>	(2) Intel® Xeon® E5-4610 (2.4GHz/6-core/15MB/7.2GT-s QPI/95W) Processors
	<b>Cache Memory</b>	15MB (1x15MB) Level 3
	<b>Memory</b>	32GB (4x8GB) PC3L-10600R (DDR3-1333) Registered DIMMS <b>NOTE: Total 48 DIMM slots available with processor upgrade (4P configuration)</b>
	<b>Network Controller</b>	HP Ethernet 1Gb 4-port 331FLR Adapter
	<b>Storage Controller</b>	HP Smart Array P420i/1GB FBWC (RAID 0/1/1+0/5/5+0/6/6+0)
	<b>Hard Drives</b>	None ship standard
	<b>Internal Storage</b>	Standard: 5 SFF SAS HDD Bays; includes 3 SFF hard drive blanks
	<b>Optical Drive</b>	Optional External USB Optical Drive (Mobile USB DVDRW Optical Drive)
	<b>PCI-Express Slots</b>	3 PCIe slots (Up to 3 additional PCIe slots available with optional riser)
	<b>Power Supply</b>	(2) HP 1200W CS Platinum Plus Hot Plug Power Supply (94% Efficient)
	<b>Fans</b>	(6) (N+1 redundancy standard)
	<b>Management</b>	HP iLO Management Engine (standard) Optional: HP iLO Advanced or HP Insight Control
	<b>Form Factor</b>	Rack (2U), HP Ball Bearing Rail Kit /Cable Management Arm standard
	<b>Warranty</b>	Server Warranty includes 3-Year Parts, 3-Year Labor, 3-Year Onsite support with next business day response.

### Pre-configured Models

<b>HP ProLiant DL560 Gen8 E5-4610v2 2P 32GB-R Hot Plug SFF 1200W RPS Server</b> 732341-001	<b>Processor(s)</b>	(2) Intel® Xeon® E5-4610 v2 (2.3GHz/8-core/16MB/7.2GT-s QPI/95W) Processors
	<b>Cache Memory</b>	16MB (1x16MB) Level 3
	<b>Memory</b>	32GB (4x8GB) PC3L-12800R (DDR3-1600) Registered DIMMS <b>NOTE:</b> Total 48 DIMM slots available with processor upgrade (4P configuration)
	<b>Network Controller</b>	HP Ethernet 1Gb 4-port 331FLR Adapter
	<b>Storage Controller</b>	HP Smart Array P420i/1GB FBWC (RAID 0/1/1+0/5/5+0/6/6+0)
	<b>Hard Drives</b>	None ship standard
	<b>Internal Storage</b>	Standard: 5 SFF SAS HDD Bays; includes 3 SFF hard drive blanks
	<b>Optical Drive</b>	Optional External USB Optical Drive (Mobile USB DVDRW Optical Drive)
	<b>PCI-Express Slots</b>	3 PCIe slots (Up to 3 additional PCIe slots available with optional riser)
	<b>Power Supply</b>	(2) HP 1200W CS Platinum Plus Hot Plug Power Supply (94% Efficient)
	<b>Fans</b>	(6) (N+1 redundancy standard)
	<b>Management</b>	HP iLO Management Engine (standard) Optional: HP iLO Advanced or HP Insight Control
	<b>Form Factor</b>	Rack (2U), HP Ball Bearing Rail Kit /Cable Management Arm standard
	<b>Warranty</b>	Server Warranty includes 3-Year Parts, 3-Year Labor, 3-Year Onsite support with next business day response.

### Performance Models

**NOTE:** These Models are Energy Star Certified.

<b>HP ProLiant DL560 Gen8 E5-4640 4P 64GB-R Hot Plug SFF 1200W PS Server</b> 686784-001	<b>Processor(s)</b>	(4) Intel® Xeon® E5-4640 (2.4GHz/8-core/20MB/8.0GT-s QPI/95W) Processors
	<b>Cache Memory</b>	20MB (1x20MB) Level 3
	<b>Memory</b>	64GB (8x8GB) PC3-12800R (DDR3-1600) Registered DIMMS <b>NOTE:</b> Total 48 DIMM slots available with processor upgrade (4P configuration)
	<b>Network Controller</b>	HP Ethernet 10Gb 2-port 530FLR-SFP+ Adapter
	<b>Storage Controller</b>	HP Smart Array P420i/2GB FBWC (RAID 0/1/1+0/5/5+0/6/6+0)
	<b>Hard Drives</b>	None ship standard
	<b>Internal Storage</b>	Standard: 5 SFF SAS HDD Bays; includes 3 SFF hard drive blanks
	<b>Optical Drive Bay</b>	Optional External USB Optical Drive (Mobile USB DVDRW Optical Drive)
	<b>PCI-Express Slots</b>	6 PCIe slots (secondary riser included by default)
	<b>Power Supply</b>	(2) HP 1200W CS Platinum Plus Hot Plug Power Supplies (94% Efficient)
	<b>Fans</b>	(6) (N+1 redundancy standard)
	<b>Management</b>	HP iLO Management Engine (standard) HP Insight Control Standard
	<b>Energy Star</b>	Meets Energy Star requirements
	<b>Form Factor</b>	Rack (2U), HP Ball Bearing Rail Kit /Cable Management Arm standard
	<b>Warranty</b>	Server Warranty includes 3-Year Parts, 3-Year Labor, 3-Year Onsite support with next business day response.

### Pre-configured Models

---

<b>HP ProLiant DL560 Gen8 E5-4640v2 4P 128GB-R Hot Plug SFF 1200W RPS Server</b> 732342-001	<b>Processor(s)</b>	(4) Intel® Xeon® E5-4640 v2 (2.2GHz/10-core/20MB/8.0GT-s QPI/95W) Processors
	<b>Cache Memory</b>	20MB (1x20MB) Level 3
	<b>Memory</b>	128GB (16x8GB) PC3-14900R (DDR3-1866) Registered DIMMS <b>NOTE: Total 48 DIMM slots available with processor upgrade (4P configuration)</b>
	<b>Network Controller</b>	HP FlexFabric 10Gb 2-port 533FLR-T Adapter
	<b>Storage Controller</b>	HP Smart Array P420i/2GB FBWC (RAID 0/1/1+0/5/5+0/6/6+0)
	<b>Hard Drives</b>	None ship standard
	<b>Internal Storage</b>	Standard: 5 SFF SAS HDD Bays; includes 3 SFF hard drive blanks
	<b>Optical Drive Bay</b>	Optional External USB Optical Drive (Mobile USB DVDRW Optical Drive)
	<b>PCI-Express Slots</b>	6 PCIe slots (secondary riser included by default)
	<b>Power Supply</b>	(2) HP 1200W CS Platinum Plus Hot Plug Power Supplies (94% Efficient)
	<b>Fans</b>	(6) (N+1 redundancy standard)
	<b>Management</b>	HP iLO Management Engine (standard) HP Insight Control Standard
	<b>Energy Star</b>	Meets Energy Star requirements
	<b>Form Factor</b>	Rack (2U), HP Ball Bearing Rail Kit /Cable Management Arm standard
	<b>Warranty</b>	Server Warranty includes 3-Year Parts, 3-Year Labor, 3-Year Onsite support with next business day response.

### Smart Buys

<b>HP ProLiant DL560 Gen8 E5-4650 2.7GHz 8-core 2P 64GB-R Hot Plug SFF 1200W PS Server 697607-S01</b>	<b>Processor(s)</b>	(2) Intel® Xeon® E5-4650 (2.7GHz/8-core/20MB/8.0GT-s QPI/130W) Processors
	<b>Cache Memory</b>	20MB (1x20MB) Level 3
	<b>Memory</b>	64GB (8x8GB) PC3L-12800R (DDR3-1600) Registered DIMMS <b>NOTE:</b> Total 48 DIMM slots available with processor upgrade (4P configuration).
	<b>Network Controller</b>	HP Ethernet 1Gb 4-port 331FLR Adapter
	<b>Storage Controller</b>	HP Smart Array P420i/ZM (RAID 0/1/1+0)
	<b>Hard Drives</b>	None ship standard
	<b>Internal Storage</b>	Standard: 5 SFF SAS HDD Bays; includes 3 SFF hard drive blanks
	<b>Optical Drive</b>	Optional USB DVD-RW/ROM Optical Drive
	<b>PCI-Express Slots</b>	3 PCIe slots (+3 PCI slots available with upgrade option)
	<b>Power Supply</b>	(2) HP 1200W CS Platinum Plus Hot Plug Power Supply (94% Efficient)
	<b>Fans</b>	(6) (N+1 redundancy standard)
	<b>Management</b>	HP iLO Management Engine (standard) Optional: HP Insight Control
	<b>Form Factor</b>	Rack (2U), HP Ball Bearing Rail Kit /Cable Management Arm standard
	<b>Warranty</b>	Server Warranty includes 3-Year Parts, 3-Year Labor, 3-Year Onsite support with next business day response.

<b>HP ProLiant DL560 Gen8 E5-4617 2.9GHz 6-core 2P 64GB-R Hot Plug SFF 1200W PS Server 697608-S01</b>	<b>Processor(s)</b>	(2) Intel® Xeon® E5-4617 (2.9GHz/6-core/15MB/7.2GT-s QPI/130W) Processors
	<b>Cache Memory</b>	15MB (1x15MB) Level 3
	<b>Memory</b>	64GB (8x8GB) PC3L-12800R (DDR3-1600) Registered DIMMS <b>NOTE:</b> Total 48 DIMM slots available with processor upgrade (4P configuration).
	<b>Network Controller</b>	HP Ethernet 1Gb 4-port 331FLR Adapter
	<b>Storage Controller</b>	HP Smart Array P420i/ZM (RAID 0/1/1+0)
	<b>Hard Drives</b>	None ship standard
	<b>Internal Storage</b>	Standard: 5 SFF SAS HDD Bays; includes 3 SFF hard drive blanks
	<b>Optical Drive</b>	Optional USB DVD-RW/ROM Optical Drive
	<b>PCI-Express Slots</b>	3 PCIe slots (+3 PCI slots available with upgrade option)
	<b>Power Supply</b>	(2) HP 1200W CS Platinum Plus Hot Plug Power Supply (94% Efficient)
	<b>Fans</b>	(6) (N+1 redundancy standard)
	<b>Management</b>	HP iLO Management Engine (standard) Optional: HP Insight Control
	<b>Form Factor</b>	Rack (2U), HP Ball Bearing Rail Kit /Cable Management Arm standard
	<b>Warranty</b>	Server Warranty includes 3-Year Parts, 3-Year Labor, 3-Year Onsite support with next business day response.

### Smart Buys

<b>HP ProLiant DL560 Gen8 E5-4627v2 3.3GHz 8-core 2P 64GB-R Hot Plug SFF 1200W RPS Server</b> 734614-S01	<b>Processor(s)</b>	(2) Intel® Xeon® E5-4627v2 (3.3GHz/8-core/16MB/130W) Processors
	<b>Cache Memory</b>	16MB (1x16MB) Level 3
	<b>Memory</b>	64GB (8x8GB) PC3-14900R (DDR3-1600) Registered DIMMS
	<b>Network Controller</b>	HP Ethernet 1Gb 4-port 331FLR Adapter
	<b>Storage Controller</b>	HP Smart Array P420i/ZM (RAID 0/1/1+0)
	<b>Hard Drives</b>	None ship standard
	<b>Internal Storage</b>	Standard: 5 SFF SAS HDD Bays; includes 3 SFF hard drive blanks
	<b>Optical Drive</b>	Optional USB DVD-RW/ROM Optical Drive
	<b>PCI-Express Slots</b>	Optional USB DVD-RW/ROM Optical Drive
	<b>Power Supply</b>	(2) HP 1200W CS Platinum Plus Hot Plug Power Supply (94% Efficient)
	<b>Fans</b>	(6) (N+1 redundancy standard)
	<b>Management</b>	HP iLO Management Engine (standard) Optional: HP Insight Control
	<b>Form Factor</b>	Rack (2U), HP Ball Bearing Rail Kit /Cable Management Arm standard
	<b>Warranty</b>	Server Warranty includes 3-Year Parts, 3-Year Labor, 3-Year Onsite support with next business day response.

<b>HP ProLiant DL560 Gen8 E5-4657L v2 2.4GHz 12-core 2P 64GB-R Hot Plug SFF 1200W RPS Server</b> 734613-S01	<b>Processor(s)</b>	(2) Intel® Xeon® E5-4657L v2 (2.4GHz/12-core/30MB/115W) Processors
	<b>Cache Memory</b>	30MB (1x30MB) Level 3
	<b>Memory</b>	64GB (8x8GB) PC3-14900R (DDR3-1600) Registered DIMMS
	<b>Network Controller</b>	HP Ethernet 1Gb 4-port 331FLR Adapter
	<b>Storage Controller</b>	HP Smart Array P420i/ZM (RAID 0/1/1+0)
	<b>Hard Drives</b>	None ship standard
	<b>Internal Storage</b>	Standard: 5 SFF SAS HDD Bays; includes 3 SFF hard drive blanks
	<b>Optical Drive</b>	Optional USB DVD-RW/ROM Optical Drive
	<b>PCI-Express Slots</b>	3 PCIe slots (+3 PCI slots available with upgrade option)
	<b>Power Supply</b>	(2) HP 1200W CS Platinum Plus Hot Plug Power Supply (94% Efficient)
	<b>Fans</b>	(6) (N+1 redundancy standard)
	<b>Management</b>	HP iLO Management Engine (standard) Optional: HP Insight Control
	<b>Form Factor</b>	Rack (2U), HP Ball Bearing Rail Kit /Cable Management Arm standard
	<b>Warranty</b>	Server Warranty includes 3-Year Parts, 3-Year Labor, 3-Year Onsite support with next business day response.



### Configuration Information - Factory Integrated Models

**NOTE:** This section lists some of the steps required to configure a Factory Integrated Model. To ensure only valid configurations are ordered, HP recommends the use of an HP approved configurator. Contact your local sales representative for information on configurable product offerings and requirements.

**NOTE:** Factory Integrated Models must start with a CTO Server.

**NOTE:** FIO indicates that this option is only available as a factory installable option.

**NOTE:** All Factory Integrated Models will be populated with sufficient hard drive blanks based on the number of initial hard drives ordered with the server.

### Step 1: Base Configuration (choose one of the following configurable models)

#### HP Models

HP ProLiant DL560 Gen8 Configure-to-order Server

686792-B21

#### Factory Integrated Models ship with:

4 x HP Smart Socket Guides for fast processor installation.

48 DIMM slots for RDIMM and LRDIMM Memory installation

1 FlexibleLOM connector: (see Step2: HP Flexible NIC section below for NIC choices to populate the embedded connector)

Smart Array P420i Controller w/ Zero Memory (ZM)

I/O slots - 3 Slots come standard:

- Slot 1 - FL/FH x16 PCIe 3.0 (x16 connector)
- Slot 2 - HL/FH x8 PCIe 3.0 (x8 connector)
- Slot 3 - HL/FH x4 PCIe 2.0 (x8 connector)
- Additional Slots may be added via selections from the PCI Information and Options subsection

(1) HP 1200W CS Platinum Plus Hot Plug Power Supply (94% Efficient)

System Fans - 6 (N + 1 redundancy standard)

Drive Cage - 5SFF (Optical media drive optional)

USB - 4 Rear, 2 Front, 1 Internal, 1 Micro SD slot

HP iLO Management Engine (standard)

HP Ball Bearing Rail Kit and Cable Management Arm

**NOTE:** Gen8 rail kits have changed significantly from prior generation rail kits. Please take a moment to review the installation documentation that comes with the server to help you with the installation of your Gen8 server.

**CAUTION:** HP recommends that at least two people are used for all rack server installations. Please refer to your installation instructions for proper tools and number of people to use for any installation

### Step 2: Choose Required Options (only one of the following from each list unless otherwise noted)

#### HP Processors

**NOTE:** All processors within the server must be identical.

**NOTE:** All processor kits contain one processor. If two processors are desired, select one xxxxxx-L21 and one xxxxxx-B21. If four processors are desired, select one xxxxxx-L21 and three xxxxxx-B21. 3P configurations are not supported.

#### E5-4600 v2 series Processors

Twelve-Core Processors

### Configuration Information - Factory Integrated Models

HP DL560p Gen8 Intel® Xeon® E5-4657Lv2 (2.4GHz/12-core/30MB/115W) FIO Processor Kit 734193-L21

#### Ten-Core Processors

HP DL560p Gen8 Intel® Xeon® E5-4650v2 (2.4GHz/10-core/25MB/95W) FIO Processor Kit 734180-L21

HP DL560p Gen8 Intel® Xeon® E5-4640v2 (2.2GHz/10-core/20MB/95W) FIO Processor Kit 734182-L21

#### Eight-Core Processors

HP DL560p Gen8 Intel® Xeon® E5-4620v2 (2.6GHz/8-core/20MB/95W) FIO Processor Kit 734185-L21

HP DL560p Gen8 Intel® Xeon® E5-4610v2 (2.3GHz/8-core/16MB/95W) FIO Processor Kit 734187-L21

HP DL560p Gen8 Intel® Xeon® E5-4627Lv2 (3.3GHz/8-core/16MB/130W) FIO Processor Kit 734195-L21

#### Six-Core Processors

HP DL560p Gen8 Intel® Xeon® E5-4607v2 (2.6GHz/6-core/15MB/95W) FIO Processor Kit 734189-L21

#### Four-Core Processors

HP DL560p Gen8 Intel® Xeon® E5-4603v2 (2.2GHz/4-core/10MB/95W) FIO Processor Kit 734191-L21

#### E5-4600 series Processors

#### Eight-Core Processors

HP DL560 Gen8 Intel® Xeon® E5-4650 (2.7GHz/8-core/20MB/130W) FIO Processor Kit 686843-L21

HP DL560 Gen8 Intel® Xeon® E5-4650L (2.6GHz/8-core/20MB/115W) FIO Processor Kit 686832-L21

HP DL560 Gen8 Intel® Xeon® E5-4640 (2.4GHz/8-core/20MB/95W) FIO Processor Kit 686845-L21

HP DL560 Gen8 Intel® Xeon® E5-4620 (2.2GHz/8-core/16MB/95W) FIO Processor Kit 686847-L21

#### Six-Core Processors

HP DL560 Gen8 Intel® Xeon® E5-4617 (2.9GHz/6-core/15MB/130W) FIO Processor Kit 686834-L21

HP DL560 Gen8 Intel® Xeon® E5-4610 (2.4GHz/6-core/15MB/95W) FIO Processor Kit 686822-L21

HP DL560 Gen8 Intel® Xeon® E5-4607 (2.2GHz/6-core/12MB/95W) FIO Processor Kit 686824-L21

#### Four-Core Processors

HP DL560 Gen8 Intel® Xeon® E5-4603 (2.0GHz/4-core/10MB/95W) FIO Processor Kit 686826-L21

### HP Memory

**NOTE:** HP memory from previous generation servers are not qualified or warranted with this HP ProLiant Server. HP SmartMemory is required to realize the memory performance improvements and enhanced functionality listed in this document for Gen8. For additional information, please see the HP SmartMemory QuickSpecs at: [http://h18000.www1.hp.com/products/quickspecs/14225\\_na/14225\\_na.html](http://h18000.www1.hp.com/products/quickspecs/14225_na/14225_na.html)

**NOTE:** LRDIMM and RDIMM are all distinct memory technologies and cannot be mixed within a server. The majority of ProLiant Gen8 servers support RDIMM, UDIMM and LRDIMM.

#### Registered DIMMs (RDIMMs) - E5-4600 v2 series Processors

HP 4GB (1x4GB) Single Rank x4 PC3L-12800R (DDR3-1600) Registered CAS-11 Low Voltage Memory Kit 713981-B21

HP 4GB (1x4GB) Single Rank x4 PC3-14900R (DDR3-1866) Registered CAS-13 Memory Kit 708637-B21

HP 8GB (1x8GB) Single Rank x4 PC3L-12800R (DDR3-1600) Registered CAS-11 Low Voltage Memory Kit 731765-B21

### Configuration Information - Factory Integrated Models

HP 8GB (1x8GB) Single Rank x4 PC3-14900R (DDR3-1866) Registered CAS-13 Memory Kit	731761-B21
HP 16GB (1x16GB) Dual Rank x4 PC3L-12800R (DDR3-1600) Registered CAS-11 Low Voltage Memory Kit	713985-B21
HP 16GB (1x16GB) Dual Rank x4 PC3-14900R (DDR3-1866) Registered CAS-13 Memory Kit	708641-B21
<b>Load Reduced DIMMs (LRDIMM) - E5-4600 v2 series Processors</b>	
HP 32GB (1x32GB) Quad Rank x4 PC3-14900L (DDR3-1866) Load Reduced CAS-13 Memory Kit	708643-B21
<b>Registered DIMMs (RDIMMs) - E5-2xxx and E5-4xxx series Processors</b>	
HP 4GB (1x4GB) Single Rank x4 PC3L-10600R (DDR3-1333) Registered CAS-9 Low Voltage Memory Kit	647893-B21
HP 4GB (1x4GB) Single Rank x4 PC3-12800R (DDR3-1600) Registered CAS-11 Memory Kit	647895-B21
HP 8GB (1x8GB) Dual Rank x4 PC3L-10600R (DDR3-1333) Registered CAS-9 Low Voltage Memory Kit	647897-B21
HP 8GB (1x8GB) Single Rank x4 PC3-12800R (DDR3-1600) Registered CAS-11 Memory Kit	647899-B21
HP 8GB (1x8GB) Dual Rank x4 PC3-12800R (DDR3-1600) Registered CAS-11 Memory Kit	690802-B21
HP 16GB (1x16GB) Dual Rank x4 PC3L-10600R (DDR3-1333) Registered CAS-9 Low Voltage Memory Kit	647901-B21
HP 16GB (1x16GB) Dual Rank x4 PC3-12800R (DDR3-1600) Registered CAS-11 Memory Kit	672631-B21
<b>Load Reduced DIMMs (LRDIMM) - E5 2xxx and E5-4xxx series Processors</b>	
HP 32GB (1x32GB) Quad Rank x4 PC3L-10600L (DDR3-1333) Load Reduced CAS-9 Low Voltage Memory Kit	647903-B21
<b>NOTE:</b> All DDR3 memory option kits consist of one DIMM per kit. For detailed memory configuration rules and guidelines, please use the Online DDR3 Memory Configuration Tool: <a href="http://www.hp.com/go/ddr3memory-configurator">www.hp.com/go/ddr3memory-configurator</a> .	
<b>NOTE:</b> Kits described as LP include Low Power DIMMs. For more information on ProLiant Energy Efficient Features, see: <a href="http://www.hp.com/go/proliant-energy-efficient">www.hp.com/go/proliant-energy-efficient</a>	
<b>NOTE:</b> PC3L is a low voltage memory	
<b>NOTE:</b> The HP ProLiant DL560 Gen8 server requires one FlexibleLOM to be installed in the FlexibleLOM slot.	
<b>FlexibleLOM Adapters</b>	
HP Ethernet 1Gb 4-port 331FLR FIO Adapter	684208-B21
HP Ethernet 10Gb 2-port 530FLR-SFP+ FIO Adapter	684210-B21
HP FlexFabric 10Gb 2-port 554FLR-SFP+ FIO Adapter	684213-B21
HP Ethernet 1Gb 4-port 366FLR FIO Adapter	684217-B21
HP Ethernet 10Gb 2-port 560FLR-SFP+ FIO Adapter	684218-B21
HP FlexFabric 10Gb 2-port 526FLR-SFP+ FIO Adapter	684219-B21
HP Ethernet 10Gb 2-port 561FLR-T FIO Adapter	700700-B21
HP FlexFabric 10Gb 2-port 534FLR-SFP+ FIO Adapter	700752-B21
HP FlexFabric 10Gb 2-port 533FLR-T FIO Adapter	700760-B21

### HP Networking



### Configuration Information - Factory Integrated Models

**NOTE:** Please see the QuickSpecs for Technical Specifications and additional information: [www.hp.com/go/ProLiantNICs](http://www.hp.com/go/ProLiantNICs).

#### HP InfiniBand

HP Infiniband FDR/Ethernet 10Gb/40Gb 2-port 544FLR-QSFP Adapter

649282-B21

HP Infiniband QDR/Ethernet 10Gb 2-port 544FLR-QSFP Adapter

649283-B21

**NOTE:** Please see the QuickSpecs for additional information:

[http://h18000.www1.hp.com/products/quickspecs/13078\\_na/13078\\_na.html](http://h18000.www1.hp.com/products/quickspecs/13078_na/13078_na.html)

#### HP Power Supplies

**NOTE:** Prior to making a power supply selection it is highly recommended that the HP Power Advisor is run to determine the right size power supply for your server configuration. The HP Power Advisor is located at: [www.hp.com/go/hppoweradvisor](http://www.hp.com/go/hppoweradvisor).

#### HP Common Slot Platinum Plus Power Supply Kits

**NOTE:** The following Power Supply offer 94% efficiency with support for Intelligent Power Discovery.

HP 1200W Common Slot Platinum Plus Hot Plug Power Supply Kit

656364-B21

**NOTE:** Option Kits for AC power supplies include the power supply and one PDU IEC cable.

**NOTE:** HP ProLiant servers ship with an IEC-IEC power cord used for rack mounting with Power Distribution Units (PDUs). For a full list of optional HP power cords please go to [www.hp.com/products/powercords](http://www.hp.com/products/powercords)

**NOTE:** Power Specification and Technical Content for supported power supplies can be found at:

[http://h18000.www1.hp.com/products/quickspecs/14209\\_na/14209\\_na.html](http://h18000.www1.hp.com/products/quickspecs/14209_na/14209_na.html)

---

### Step 3: Choose Additional Factory Integratable Options

#### HP Insight Software

HP Insight Control including 1yr 24x7 Support ProLiant ML/DL/BL-bundle Single Server FIO License

C6N36A

---

#### Converged Infrastructure Management Software

**HP OneView with iLO Advanced - Server hardware required on same purchase order**

HP OneView for ProLiant DL Server incl 3yr 24x7 Supp FIO Bundle Physical 1 Svr Lic

E5Y43A

HP OneView incl 3yr 24x7 Supp Bundle 1 Svr E-LTU

E5Y43AAE

---

### Step 4: Choose Additional Options for Factory Integration

**NOTE:** For additional options, please refer to the "Core Options" and "Additional Options" section below.

### Core Options

**NOTE:** Some options may not be integrated at the factory. To ensure only valid configurations are ordered, HP recommends the use of an HP approved configurator. Contact your local sales representative for additional information.

#### HP Processors

**NOTE:** All processors within the server must be identical.

**NOTE:** All processor kits contain one processor. 3P configurations are not supported.

**NOTE:** The processor model as well as the memory configuration determines the maximum speed memory can operate. Please see the see the "Memory" section later in this document.

#### E5-4600 v2 series Processors

##### Twelve-Core Processors

HP DL560p Gen8 Intel® Xeon® E5-4657Lv2 (2.4GHz/12-core/30MB/115W) Processor Kit 734193-B21

HP DL560p Gen8 Intel® Xeon® E5-4657Lv2 (2.4GHz/12-core/30MB/115W) Processor Kit/S-Buy 734193-S21

##### Ten-Core Processors

HP DL560p Gen8 Intel® Xeon® E5-4650v2 (2.4GHz/10-core/25MB/95W) Processor Kit 734180-B21

HP DL560p Gen8 Intel® Xeon® E5-4640v2 (2.2GHz/10-core/20MB/95W) Processor Kit 734182-B21

##### Eight-Core Processors

HP DL560p Gen8 Intel® Xeon® E5-4620v2 (2.6GHz/8-core/20MB/95W) Processor Kit 734185-B21

HP DL560p Gen8 Intel® Xeon® E5-4610v2 (2.3GHz/8-core/16MB/95W) Processor Kit 734187-B21

HP DL560p Gen8 Intel® Xeon® E5-4627v2 (3.3GHz/8-core/16MB/130W) Processor Kit 734195-B21

HP DL560p Gen8 Intel® Xeon® E5-4627v2 (3.3GHz/8-core/16MB/130W) Processor Kit/S-Buy 734195-S21

##### Six-Core Processors

HP DL560p Gen8 Intel® Xeon® E5-4607v2 (2.6GHz/6-core/15MB/95W) Processor Kit 734189-B21

HP DL560p Gen8 Intel® Xeon® E5-4603v2 (2.2GHz/4-core/10MB/95W) Processor Kit 734191-B21

##### Eight-Core Processors

HP DL560 Gen8 Intel® Xeon® E5-4650 (2.7GHz/8-core/20MB/130W) Processor Kit 686843-B21

HP DL560 Gen8 Intel® Xeon® E5-4650 (2.7GHz/8-core/20MB/130W) Processor Kit/S-Buy 686843-S21

**NOTE:** -S21 Smart Buy processor options cannot be integrated at the factory.

HP DL560 Gen8 Intel® Xeon® E5-4650L (2.6GHz/8-core/20MB/115W) Processor Kit 686832-B21

HP DL560 Gen8 Intel® Xeon® E5-4640 (2.4GHz/8-core/20MB/95W) Processor Kit 686845-B21

HP DL560 Gen8 Intel® Xeon® E5-4620 (2.2GHz/8-core/16MB/95W) Processor Kit 686847-B21

##### Six-Core Processors

HP DL560 Gen8 Intel® Xeon® E5-4617 (2.9GHz/6-core/15MB/130W) Processor Kit 686834-B21

HP DL560 Gen8 Intel® Xeon® E5-4617 (2.9GHz/6-core/15MB/130W) Processor Kit/S-Buy 686834-S21

**NOTE:** -S21 Smart Buy processor options cannot be integrated at the factory.

HP DL560 Gen8 Intel® Xeon® E5-4610 (2.4GHz/6-core/15MB/95W) Processor Kit 686822-B21

HP DL560 Gen8 Intel® Xeon® E5-4607 (2.2GHz/6-core/12MB/95W) Processor Kit 686824-B21

##### Four-Core Processors

HP DL560 Gen8 Intel® Xeon® E5-4603 (2.0GHz/4-core/10MB/95W) Processor Kit 686826-B21

**NOTE:** Up to 4 processors supported. Performance Model includes four processors.

### Core Options

#### HP Memory

**NOTE:** HP memory from previous generation servers are not qualified or warranted with this HP ProLiant Server. HP SmartMemory is required to realize the memory performance improvements and enhanced functionality listed in this document for Gen8. For additional information, please see the HP SmartMemory QuickSpecs at: [http://h18000.www1.hp.com/products/quickspecs/14225\\_na/14225\\_na.html](http://h18000.www1.hp.com/products/quickspecs/14225_na/14225_na.html)

**NOTE:** LRDIMM and RDIMM are all distinct memory technologies and cannot be mixed within a server. The majority of ProLiant Gen8 servers support RDIMM, UDIMM and LRDIMM.

#### Registered DIMMs (RDIMMs) - E5-4600 v2 series Processors

HP 4GB (1x4GB) Single Rank x4 PC3L-12800R (DDR3-1600) Registered CAS-11 Low Voltage Memory Kit	713981-B21
HP 4GB (1x4GB) Single Rank x4 PC3L-12800R (DDR3-1600) Registered CAS-11 Low Voltage Memory Kit/S-Buy	713981-S21
HP 4GB (1x4GB) Single Rank x4 PC3-14900R (DDR3-1866) Registered CAS-13 Memory Kit	708637-B21
HP 4GB (1x4GB) Single Rank x4 PC3-14900R (DDR3-1866) Registered CAS-13 Memory Kit/S-Buy	708637-S21
HP 8GB (1x8GB) Single Rank x4 PC3L-12800R (DDR3-1600) Registered CAS-11 Low Voltage Memory Kit	731765-B21
HP 8GB (1x8GB) Single Rank x4 PC3L-12800R (DDR3-1600) Registered CAS-11 Low Voltage Memory Kit/S-Buy	731765-S21
HP 8GB (1x8GB) Single Rank x4 PC3-14900R (DDR3-1866) Registered CAS-13 Memory Kit	731761-B21
HP 8GB (1x8GB) Single Rank x4 PC3-14900R (DDR3-1866) Registered CAS-13 Memory Kit/S-Buy	731761-S21
HP 16GB (1x16GB) Dual Rank x4 PC3L-12800R (DDR3-1600) Registered CAS-11 Low Voltage Memory Kit	713985-B21
HP 16GB (1x16GB) Dual Rank x4 PC3L-12800R (DDR3-1600) Registered CAS-11 Low Voltage Memory Kit/S-Buy	713985-S21
HP 16GB (1x16GB) Dual Rank x4 PC3-14900R (DDR3-1866) Registered CAS-13 Memory Kit	708641-B21
HP 16GB (1x16GB) Dual Rank x4 PC3-14900R (DDR3-1866) Registered CAS-13 Memory Kit/S-Buy	708641-S21

#### Load Reduced DIMMs (LRDIMM) - E5-4600 v2 series Processors

HP 32GB (1x32GB) Quad Rank x4 PC3-14900L (DDR3-1866) Load Reduced CAS-13 Memory Kit	708643-B21
HP 32GB (1x32GB) Quad Rank x4 PC3-14900L (DDR3-1866) Load Reduced CAS-13 Memory Kit/S-Buy	708643-S21

#### Registered DIMMs (RDIMMs) - E5-2xxx and E5-4xxx series Processors

HP 4GB (1x4GB) Single Rank x4 PC3L-10600R (DDR3-1333) Registered CAS-9 Low Voltage Memory Kit	647893-B21
HP 4GB (1x4GB) Single Rank x4 PC3L-10600R (DDR3-1333) Registered CAS-9 Low Voltage Memory Kit/S-Buy	647893-S21

### Core Options

HP 4GB (1x4GB) Single Rank x4 PC3-12800R (DDR3-1600) Registered CAS-11 Memory Kit	647895-B21
HP 4GB (1x4GB) Single Rank x4 PC3-12800R (DDR3-1600) Registered CAS-11 Memory Kit/S-Buy	647895-S21
HP 8GB (1x8GB) Dual Rank x4 PC3L-10600R (DDR3-1333) Registered CAS-9 Low Voltage Memory Kit	647897-B21
HP 8GB (1x8GB) Dual Rank x4 PC3L-10600R (DDR3-1333) Registered CAS-9 Low Voltage Memory Kit/S-Buy	647897-S21
HP 8GB (1x8GB) Single Rank x4 PC3-12800R (DDR3-1600) Registered CAS-11 Memory Kit	647899-B21
HP 8GB (1x8GB) Single Rank x4 PC3-12800R (DDR3-1600) Registered CAS-11 Memory Kit/S-Buy	647899-S21
HP 8GB (1x8GB) Dual Rank x4 PC3-12800R (DDR3-1600) Registered CAS-11 Memory Kit	690802-B21
HP 16GB (1x16GB) Dual Rank x4 PC3L-10600R (DDR3-1333) Registered CAS-9 Low Voltage Memory Kit	647901-B21
HP 16GB (1x16GB) Dual Rank x4 PC3L-10600R (DDR3-1333) Registered CAS-9 Low Voltage Memory Kit/S-Buy	647901-S21
HP 16GB (1x16GB) Dual Rank x4 PC3-12800R (DDR3-1600) Registered CAS-11 Memory Kit	672631-B21
HP 16GB (1x16GB) Dual Rank x4 PC3-12800R (DDR3-1600) Registered CAS-11 Memory Kit/S-Buy	672631-S21
<b>Load Reduced DIMMs (LRDIMM) - E5-2xxx and E5-4xxx series Processors</b>	
HP 32GB (1x32GB) Quad Rank x4 PC3L-10600L (DDR3-1333) Load Reduced CAS-9 Low Voltage Memory Kit	647903-B21
HP 32GB (1x32GB) Quad Rank x4 PC3L-10600L (DDR3-1333) Load Reduced CAS-9 Low Voltage Memory Kit/S-Buy	647903-S21

**NOTE:** All DDR3 memory option kits consist of one DIMM per kit. For detailed memory configuration rules and guidelines, please use the Online DDR3 Memory Configuration Tool: [www.hp.com/go/ddr3memory-configurator](http://www.hp.com/go/ddr3memory-configurator).

**NOTE:** Kits described as LP include Low Power DIMMs. For more information on ProLiant Energy Efficient Features, see: [www.hp.com/go/proliant-energy-efficient](http://www.hp.com/go/proliant-energy-efficient)

**NOTE:** PC3L is a low voltage memory.

### HP Optical Drives

HP Mobile USB Non Leaded System DVD RW Drive	701498-B21
--	------------

**NOTE:** Included AC adapter not required for DL560 Gen8 functionality.

### HP Hard Drives

**NOTE:** The HP ProLiant DL560 Gen8 Smart Storage solutions are equipped with entirely re-designed Small Form Factor (SFF 2.5 in) hot plug carriers for HP Qualified Hard Drives and Solid State Drives. These new carriers provide status and activity indicators as well as caution indicators for "Do Not Remove".

**NOTE:** The components of a storage subsystem (e.g. the drive, the HBA/controller, firmware, and the server backplane) should operate at the same data transfer rate or the system bandwidth will be negotiated down to an acceptable level for all components.

**NOTE:** Hard drives have either a one year or three year warranty; refer to the specific



### Core Options

[hard drive QuickSpecs for details.](#)

#### **SAS Hot Plug with SmartDrive SFF (2.5-inch) Enterprise Drives**

HP 1.2TB 6G SAS 10K rpm SFF (2.5-inch) SC Dual Port Enterprise 3yr Warranty Hard Drive	718162-B21
HP 1.2TB 6G SAS 10K rpm SFF (2.5-inch) SC Dual Port Enterprise 3yr Warranty Hard Drive/S-Buy	718162-S21
HP 900GB 6G SAS 10K rpm SFF (2.5-inch) SC Enterprise 3yr Warranty Hard Drive	652589-B21
HP 900GB 6G SAS 10K rpm SFF (2.5-inch) SC Enterprise 3yr Warranty Hard Drive/S-Buy	652589-S21
HP 600GB 6G SAS 10K rpm SFF (2.5-inch) SC Enterprise 3yr Warranty Hard Drive	652583-B21
HP 600GB 6G SAS 10K rpm SFF (2.5-inch) SC Enterprise 3yr Warranty Hard Drive/S-Buy	652583-S21
HP 450GB 6G SAS 10K rpm SFF (2.5-inch) SC Enterprise 3yr Warranty Hard Drive	652572-B21
HP 300GB 6G SAS 10K rpm SFF (2.5-inch) SC Enterprise 3yr Warranty Hard Drive	652564-B21
HP 300GB 6G SAS 10K rpm SFF (2.5-inch) SC Enterprise 3yr Warranty Hard Drive/S-Buy	652564-S21
HP 300GB 6G SAS 15K rpm SFF (2.5-inch) SC Enterprise 3yr Warranty Hard Drive	652611-B21
HP 300GB 6G SAS 15K rpm SFF (2.5-inch) SC Enterprise 3yr Warranty Hard Drive/S-Buy	652611-S21
HP 146GB 6G SAS 15K rpm SFF (2.5-inch) SC Enterprise 3yr Warranty Hard Drive	652605-B21
HP 146GB 6G SAS 15K rpm SFF (2.5-inch) SC Enterprise 3yr Warranty Hard Drive/S-Buy	652605-S21

#### **SAS Hot Plug SmartDrive SFF (2.5-inch) Midline Drives**

HP 1TB 6G SAS 7.2K rpm SFF (2.5-inch) SC Midline 1yr Warranty Hard Drive	652749-B21
HP 1TB 6G SAS 7.2K rpm SFF (2.5-inch) SC Midline 1yr Warranty Hard Drive/S-Buy	652749-S21
HP 500GB 6G SAS 7.2K rpm SFF (2.5-inch) SC Midline 1yr Warranty Hard Drive	652745-B21
HP 500GB 6G SAS 7.2K rpm SFF (2.5-inch) SC Midline 1yr Warranty Hard Drive/S-Buy	652745-S21

**NOTE:** Please see the [QuickSpecs for Technical Specifications and additional information:](#)

[http://h18000.www1.hp.com/products/quickspecs/12244\\_na/12244\\_na.html](http://h18000.www1.hp.com/products/quickspecs/12244_na/12244_na.html)

#### **6G SATA Value Endurance Hot Plug SFF (2.5-inch) Enterprise Boot Solid State Drives**

HP 120GB 6G SATA Value Endurance SFF 2.5-in SC Enterprise Boot 3yr Wty Solid State Drive	717965-B21
HP 80GB 6G SATA Value Endurance SFF 2.5-in SC Enterprise Boot 3yr Wty Solid State Drive	734360-B21

#### **6G SATA Value Endurance Hot Plug SFF (2.5-inch) Enterprise Value Solid State Drives**

HP 800GB 6G SATA Value Endurance SFF 2.5-in SC Enterprise Value 3yr Wty Solid State Drive	717973-B21
HP 480GB 6G SATA Value Endurance SFF 2.5-in SC Enterprise Value 3yr Wty Solid State Drive	717971-B21
HP 600GB 6G SATA Value Endurance SFF 2.5-in SC Enterprise Value 3yr Wty Solid State Drive	739898-B21
HP 300GB 6G SATA Value Endurance SFF 2.5-in SC Enterprise Value 3yr Wty Solid State Drive	739888-B21
HP 240GB 6G SATA Value Endurance SFF 2.5-in SC Enterprise Value 3yr Wty Solid State Drive	717969-B21

#### **6G SATA ME Hot Plug SFF (2.5-inch) Enterprise Mainstream Solid State Drives**



### Core Options

HP 800GB 6G SATA Mainstream Endurance SFF 2.5-in SC Enterprise Mainstream 3yr Wty Solid State Drive	691868-B21
HP 400GB 6G SATA Mainstream Endurance SFF 2.5-in SC Enterprise Mainstream 3yr Wty Solid State Drive	691866-B21
HP 200GB 6G SATA Mainstream Endurance SFF 2.5-in SC Enterprise Mainstream 3yr Wty Solid State Drive	691864-B21
HP 100GB 6G SATA Mainstream Endurance SFF 2.5-in SC Enterprise Mainstream 3yr Wty Solid State Drive	691862-B21
<b>6G SAS ME Hot Plug SFF (2.5-inch) Enterprise Mainstream Solid State Drives</b>	
HP 800GB 6G SAS Mainstream Endurance SFF 2.5-in SC Enterprise Mainstream 3yr Wty Solid State Drive	690829-B21
HP 400GB 6G SAS Mainstream Endurance SFF 2.5-in SC Enterprise Mainstream 3yr Wty Solid State Drive	690827-B21
HP 200GB 6G SAS Mainstream Endurance SFF 2.5-in SC Enterprise Mainstream 3yr Wty Solid State Drive	690825-B21
<b>6G SAS SLC Hot Plug SFF (2.5-inch) Enterprise Performance Solid State Drives</b>	
HP 400GB 6G SAS SLC SFF (2.5-inch) SC Enterprise Performance 3yr Warranty Solid State Drive	653082-B21
HP 200GB 6G SAS SLC SFF (2.5-inch) SC Enterprise Performance 3yr Warranty Solid State Drive	653078-B21
<b>12G SAS ME Hot Plug (SFF (2.5-inch) Enterprise Mainstream Solid State Drives</b>	
HP 200GB 12G SAS Mainstream Endurance SFF 2.5-in SC Enterprise Mainstream 3yr Wty Solid State Drive	741138-B21
HP 400GB 12G SAS Mainstream Endurance SFF 2.5-in SC Enterprise Mainstream 3yr Wty Solid State Drive	741142-B21
HP 800GB 12G SAS Mainstream Endurance SFF 2.5-in SC Enterprise Mainstream 3yr Wty Solid State Drive	741146-B21
<b>12G SAS HE Hot Plug SFF (2.5-inch) Enterprise Performance Solid State Drives</b>	
HP 200GB 12G SAS High Endurance SFF 2.5-in SC Enterprise Performance 3yr Wty Solid State Drive	741151-B21
HP 400GB 12G SAS High Endurance SFF 2.5-in SC Enterprise Performance 3yr Wty Solid State Drive	741155-B21
HP 800GB 12G SAS High Endurance SFF 2.5-in SC Enterprise Performance 3yr Wty Solid State Drive	741159-B21
<b>NOTE:</b> Please see the QuickSpecs for Technical Specifications and additional information: <a href="http://h18000.www1.hp.com/products/quickspecs/14038_na/14038_na.html">http://h18000.www1.hp.com/products/quickspecs/14038_na/14038_na.html</a>	
<b>Hard Drive Kits</b>	
<b>NOTE:</b> All Factory Integrated Models will be populated with sufficient hard drive blanks based on the number of initial hard drives ordered with the server.	
<b>NOTE:</b> The part numbers for single HDD blanks below are provided should the customer require replacement HDD blanks for their server.	
HP SFF Gen8 Hard Drive Blank Kit	666987-B21

### Core Options

#### HP Networking

##### Gigabit Ethernet Adapters

HP NC112T PCI Express Gigabit Server Adapter	503746-B21
HP NC365T 4-port Ethernet Server Adapter	593722-B21
HP Ethernet 1Gb 4-port 331T Adapter	647594-B21
HP Ethernet 1Gb 2-port 361T Adapter	652497-B21
HP Ethernet 1Gb 2-port 332T Adapter	615732-B21

##### 10 Gigabit Ethernet Adapters

**NOTE:** A minimum of two Gigabytes (2 GB) of server memory is required per each adapter.

**NOTE:** Direct Attach Cable (DAC) for copper environments or fiber transceivers and cables for fiber-optic environments must be purchased separately.

HP NC523SFP 10Gb 2-port Server Adapter	593717-B21
HP Ethernet 10Gb 2-port 530SFP Adapter	652503-B21
HP Ethernet 10Gb 2-port 530T Adapter	656596-B21
HP NC552SFP 10Gb 2-port Ethernet Server Adapter	614203-B21
HP Ethernet 10Gb 2-port 561T Adapter	716591-B21
HP Ethernet 10Gb 2-port 570SFP+ Adapter	718904-B21
HP Ethernet 10Gb 2-port 560SFP+ Adapter	665249-B21

##### FlexibleLOM Adapters

HP Ethernet 1Gb 4-port 331FLR Adapter	629135-B21
HP Ethernet 1Gb 4-port 366FLR Adapter	665240-B21
HP Ethernet 10Gb 2-port 530FLR-SFP+ Adapter	647581-B21
HP FlexFabric 10Gb 2-port 526FLR-SFP+ Adapter	629138-B21
HP FlexFabric 10Gb 2-port 533FLR-T Adapter	700759-B21
HP FlexFabric 10Gb 2-port 534FLR-SFP+ Adapter	700751-B21
HP FlexFabric 10Gb 2-port 554FLR-SFP+ Adapter	629142-B21
HP Ethernet 10Gb 2-port 560FLR-SFP+ Adapter	665243-B21
HP Ethernet 10Gb 2-port 561FLR-T Adapter	700699-B21
HP Ethernet 10Gb 2-port 570FLR-SFP+ Adapter	717491-B21

**NOTE:** Please see the QuickSpecs for Technical Specifications and additional information: [www.hp.com/go/ProLiantNICs](http://www.hp.com/go/ProLiantNICs)

### Core Options

<b>HP InfiniBand</b>	HP InfiniBand 4X QDR ConnectX-2 PCIe G2 Dual Port HCA	592520-B21
	HP Infiniband FDR/Ethernet 10Gb/40Gb 2-port 544QSFP Adapter	649281-B21
	<b>NOTE:</b> For the following two InfiniBand Adapters, only 1 FlexibleLOM can be added to the server, which is selected in Step 2 for the "Configuration Information - Factory Integrated Models" section. These two options are for upgrade or change from original configuration.	
	<b>NOTE:</b> FLR Indicates HP FlexibleLOM Adapter series.	
	HP Infiniband FDR/Ethernet 10Gb/40Gb 2-port 544FLR-QSFP Adapter	649282-B21
	HP Infiniband QDR/Ethernet 10Gb 2-port 544FLR-QSFP Adapter	649283-B21
	<b>NOTE:</b> Please see the QuickSpecs for additional information: <a href="http://h18000.www1.hp.com/products/quickspecs/13078_na/13078_na.html">http://h18000.www1.hp.com/products/quickspecs/13078_na/13078_na.html</a>	

---

<b>HP I/O Expansion Options</b>	HP DL380p/560 Gen8 3 Slot PCI-E Riser Kit	653206-B21
	HP DL380p/560 Gen8 2 Slot 2x16 PCI-E Riser Kit	653208-B21

---

<b>HP Power Supplies</b>	<b>NOTE:</b> Prior to making a power supply selection it is highly recommended that the HP Power Advisor is run to determine the right size power supply for your server configuration. The HP Power Advisor is located at: <a href="http://www.hp.com/go/hppoweradvisor">www.hp.com/go/hppoweradvisor</a> .	
	<b>HP Common Slot Platinum Plus Power Supply Kits</b>	
	<b>NOTE:</b> The following Power Supplies offer 94% efficiency with support for Intelligent Power Discovery	
	HP 1200W Common Slot Platinum Plus Hot Plug Power Supply Kit	656364-B21
	<b>NOTE:</b> Option Kits contain optional power supply, an IEC power cable and PDU IEC cables.	
	<b>NOTE:</b> HP ProLiant servers ship with an IEC-IEC power cord used for rack mounting with Power Distribution Units (PDUs). For a full list of optional HP power cords please go to <a href="http://www.hp.com/products/powercords">www.hp.com/products/powercords</a>	
	<b>NOTE:</b> Power Specification and Technical Content for supported power supplies can be found at: <a href="http://h18000.www1.hp.com/products/quickspecs/14209_na/14209_na.html">http://h18000.www1.hp.com/products/quickspecs/14209_na/14209_na.html</a>	

---

<b>HP Graphic Options</b>	HP 150W PCI-E Power Cable Kit	669777-B21
---------------------------	-------------------------------	------------

### Additional Options

**NOTE:** Some options may not be integrated at the factory. To ensure only valid configurations are ordered, HP recommends the use of an HP approved configurator. Contact your local sales representative for additional information.

#### HP Insight Software

#### HP Insight Control

HP Insight Control including 1yr 24x7 Technical Support and Updates Single Server License C6N27A

HP Insight Control Server Provisioning Media Kit BD883A

HP Insight Management Media Kit C6N31A

**NOTE:** Electronic and Flexible-Quantity licenses can be used to purchase multiple licenses with a single activation key.

**NOTE:** Customer will receive a license entitlement certificate. The license entitlement certificate must be redeemed online or via fax in order to obtain the license activation key(s). Includes one year of 24 x 7 HP Software Technical Support and Update Service.

**NOTE:** Licenses ship without media. The HP Insight Control Media Kit can be ordered separately, or can be downloaded at: <http://www.hp.com/go/insightupdates>.

**NOTE:** For additional license options please see the QuickSpecs at:

[http://h18000.www1.hp.com/products/quickspecs/12631\\_na/12631\\_na.html](http://h18000.www1.hp.com/products/quickspecs/12631_na/12631_na.html)

#### HP Integrated Lights-Out (iLO)

#### HP Integrated Lights-Out (iLO) Advanced for ProLiant

HP iLO Advanced including 1yr 24x7 Technical Support and Updates Single Server License 512485-B21

HP iLO Advanced 1 Server License with 3yr 24x7 Tech Support and Updates BD505A

#### Converged Infrastructure Management Software

#### HP OneView

#### HP OneView with iLO Advanced

HP OneView Media Kit Phys No Lic E5Y37A

HP OneView incl 3yr 24x7 Supp Phys 1 Svr Lic E5Y34A

HP OneView incl 3yr 24x7 Supp Flex Qty E-LTU E5Y35AAE

#### HP OneView without iLO Advanced

HP OneView w/o iLO Adv incl 3yr 24x7 Supp Phys 1 Svr Lic E5Y38A

HP OneView w/o iLO Adv inc 3yr 24x7 Supp Flex Qty E-LTU E5Y39AAE

**NOTE:** Please see the QuickSpecs for Technical Specifications and additional information:

[http://h18000.www1.hp.com/products/quickspecs/14621\\_na/14621\\_na.html](http://h18000.www1.hp.com/products/quickspecs/14621_na/14621_na.html)

### Additional Options

#### High Performance Clusters

#### HP Cluster Management Utility

HP Insight Cluster Management Utility 1yr 24x7 Flexible License

QL803B

HP Insight Cluster Management Utility 3yr 24x7 Flexible License

BD476A

**NOTE:** These part numbers can be used to purchase one certificate for multiple licenses and support with a single activation key. Each license is for one node (server). Customer will receive a printed end user license agreement and license entitlement certificate via physical shipment. The license entitlement certificate must be redeemed online in order to obtain a license key. Customer also will receive a support agreement.

HP Insight Cluster Management Utility Media

BD477A

**NOTE:** For additional license kits please see the QuickSpecs at:

[http://h18004.www1.hp.com/products/quickspecs/12612\\_na/12612\\_na.html](http://h18004.www1.hp.com/products/quickspecs/12612_na/12612_na.html)

#### HP I/O Accelerator Options

#### Second Generation Accelerators

HP 365GB Multi Level Cell G2 PCIe ioDrive2 for ProLiant Servers

673642-B21

HP 785GB Multi Level Cell G2 PCIe ioDrive2 for ProLiant Servers

673644-B21

HP 1205GB Multi Level Cell G2 PCIe ioDrive2 for ProLiant Servers

673646-B21

HP 2410GB Multi Level Cell G2 PCIe ioDrive2 Duo for ProLiant Servers

673648-B21

HP 3TB G2 FH/HL PCIe ioDrive2 IO Accelerator for ProLiant Servers

721458-B21

**NOTE:** Please see the QuickSpecs for Technical Specifications and additional information:

[http://h18000.www1.hp.com/products/quickspecs/13587\\_na/13587\\_na.html](http://h18000.www1.hp.com/products/quickspecs/13587_na/13587_na.html)

#### HP PCIe Workload Accelerator Options

#### Mainstream Endurance (ME) PCIe Workload Accelerators

HP 1.4TB HH/HL Mainstream Endurance (ME) PCIe Workload Accelerator

729307-B21

HP 700GB HH/HL Mainstream Endurance (ME) PCIe Workload Accelerator

729305-B21

#### High Endurance (HE) PCIe Workload Accelerators

HP 700GB HH/HL High Endurance (HE) PCIe Workload Accelerator

708090-B21

HP 350GB HH/HL High Endurance (HE) PCIe Workload Accelerator

708088-B21

**NOTE:** Please see the QuickSpecs for Technical Specifications and additional information:

[http://h18000.www1.hp.com/products/quickspecs/14528\\_na/14528\\_na.html](http://h18000.www1.hp.com/products/quickspecs/14528_na/14528_na.html)

### Additional Options

<b>HP Security</b>	<p>HP Trusted Platform Module Option <span style="float: right;">488069-B21</span></p> <p><b>NOTE:</b> The TPM (Trusted Platform Module) is a microcontroller chip that can securely store artifacts used to authenticate the server platform. These artifacts can include passwords, certificates and encryption keys. Windows® BitLocker™ Drive Encryption (BitLocker) is a data protection feature available in Windows Server® 2008. BitLocker leverages the enhanced security capabilities of a Trusted Platform Module (TPM) version 1.2. The TPM works with BitLocker to help protect user data and to ensure that a server running Windows Server 2008 has not been tampered with while the system was offline. For more information about TPM, including a white paper, go to: <a href="http://www.hp.com/go/TPM">www.hp.com/go/TPM</a>.</p> <p><b>NOTE:</b> ProLiant OS pre-installed units will come with the partition required for TPM deployment.</p> <p><b>NOTE:</b> The TPM key is unique to every TPM deployed server and must be retained. Misplacing or losing the key could result in data loss.</p>
	<p>HP 2U Security Bezel Kit <span style="float: right;">666988-B21</span></p>

### HP Storage Controllers

#### SAS Controllers

##### Smart Array P222 Controller

**NOTE:** P222 requires (1) HP Mini SAS Straight to Straight Cable Assembly (P/N 696195-B21)

HP Smart Array P222/512 FBWC 6Gb 1-port Int/1-port Ext SAS Controller 631667-B21

##### Smart Array P420 Controller

**NOTE:** P420 requires (1) HP Mini SAS Straight to Straight Cable Assembly (P/N 696195-B21)

HP Smart Array P420/1GB FBWC 6Gb 2-ports Int SAS Controller 631670-B21

HP Smart Array P420/2GB FBWC 6Gb 2-ports Int SAS Controller 631671-B21

##### Smart Array P421 Controller

HP Smart Array P421/1GB FBWC 6Gb 2-ports Ext SAS Controller 631673-B21

HP Smart Array P421/2GB FBWC 6Gb 2-ports Ext SAS Controller 631674-B21

##### Smart Array P430 Controller

HP Smart Array P430/2GB FBWC 6Gb 1-port Int SAS Controller 698529-B21

HP Smart Array P430/4GB FBWC 6Gb 1-port Int SAS Controller 698530-B21

##### Smart Array P431 Controller

HP Smart Array P431/2GB FBWC 6Gb 2-ports Ext SAS Controller 698531-B21

HP Smart Array P431/4GB FBWC 6Gb 2-ports Ext SAS Controller 698532-B21

##### Smart Array P822 Controller

HP Smart Array P822/2GB FBWC 2-ports Int/4-ports Ext SAS Controller 615418-B21

**NOTE:** P822 requires (1) HP Mini SAS Straight to Straight Cable Assembly (P/N 696195-B21)

##### Smart Array P830 Controller

HP Smart Array P830/4GB FBWC 6Gb 2-ports Int SAS Controller 698533-B21

#### Optional Upgrades

HP 1GB P-series Smart Array Flash Backed Write Cache 631679-B21

### Additional Options

HP 2GB P-series Smart Array Flash Backed Write Cache	631681-B21
HP 512MB P-series Smart Array Flash Backed Write Cache	661069-B21
HP SmartCache No Media 24x7 Technical Support 1 Svr License	D7S26A
HP SmartCache No Media 24x7 Technical Support Flexible License	D7S27A
HP SmartCache No Media 24x7 Technical Support Electronic License	D7S27AAE
HP Secure Encryption No Media Flexible License per Drive	D8S84A
HP Secure Encryption No Media E-LTU per Drive	D8S85AAE

#### HP Cable Options

HP DL560 Mini SAS Straight to Straight Cable Assembly	696195-B21
HP DL38Xp Gen8 25 Small Form Factor (SFF) P430/830 Cable Kit	729274-B21

**NOTE:** Please see the QuickSpecs for Technical Specifications and additional information:

[http://h18000.www1.hp.com/products/quickspecs/14227\\_na/14227\\_na.html](http://h18000.www1.hp.com/products/quickspecs/14227_na/14227_na.html)  
(Smart Array P222 Controller)

[http://h18000.www1.hp.com/products/quickspecs/14624\\_na/14624\\_na.html](http://h18000.www1.hp.com/products/quickspecs/14624_na/14624_na.html)  
(Smart Array P430 Controller)

[http://h18000.www1.hp.com/products/quickspecs/14625\\_na/14625\\_na.html](http://h18000.www1.hp.com/products/quickspecs/14625_na/14625_na.html)  
(Smart Array P431 Controller)

[http://h18000.www1.hp.com/products/quickspecs/14228\\_na/14228\\_na.html](http://h18000.www1.hp.com/products/quickspecs/14228_na/14228_na.html)  
(Smart Array P420 Controller)

[http://h18000.www1.hp.com/products/quickspecs/14229\\_na/14229\\_na.html](http://h18000.www1.hp.com/products/quickspecs/14229_na/14229_na.html)  
(Smart Array P421 Controller)

[http://h18000.www1.hp.com/products/quickspecs/14341\\_na/14341\\_na.html](http://h18000.www1.hp.com/products/quickspecs/14341_na/14341_na.html)  
(Smart Array P822 Controller)

[http://h18000.www1.hp.com/products/quickspecs/xxxxx\\_na/xxxxx\\_na.html](http://h18000.www1.hp.com/products/quickspecs/xxxxx_na/xxxxx_na.html)  
(Smart Array P830 Controller)

[http://h18000.www1.hp.com/products/quickspecs/14532\\_na/14532\\_na.html](http://h18000.www1.hp.com/products/quickspecs/14532_na/14532_na.html)  
(SmartCache)

[http://h18000.www1.hp.com/products/quickspecs/14623\\_na/14623\\_na.html](http://h18000.www1.hp.com/products/quickspecs/14623_na/14623_na.html)  
(Secure Encryption)

#### Host Bus Adapter

HP H220 Host Bus Adapter	650933-B21
HP H221 Host Bus Adapter	650931-B21
HP H221 PCIe 3.0 SAS Host Bus Adapter	729552-B21
HP H222 Host Bus Adapter	650926-B21
HP H221 PCIe 3.0 SAS Host Bus Adapter	729552-B21

**NOTE:** Please see the QuickSpecs for Technical Specifications and additional information:

[http://h18004.www1.hp.com/products/quickspecs/14336\\_na/14336\\_na.html](http://h18004.www1.hp.com/products/quickspecs/14336_na/14336_na.html)  
(HBA 220)

[http://h18004.www1.hp.com/products/quickspecs/14222\\_na/14222\\_na.html](http://h18004.www1.hp.com/products/quickspecs/14222_na/14222_na.html)  
(HBA 221)

[http://h18004.www1.hp.com/products/quickspecs/14337\\_na/14337\\_na.html](http://h18004.www1.hp.com/products/quickspecs/14337_na/14337_na.html)  
(HBA 222)

#### SCSI HBA

### Additional Options

HP SC11Xe Ultra320 Single Channel/ PCIe x4 SCSI Host Bus Adapter 412911-B21  
**NOTE:** Please see the following QuickSpecs for additional information:  
[http://h18000.www1.hp.com/products/quickspecs/12566\\_na/12566\\_na.html](http://h18000.www1.hp.com/products/quickspecs/12566_na/12566_na.html)  
(SC11Xe HBA)

---

#### HP Power Cords

**NOTE:** HP ProLiant servers ships with an IEC-IEC power cord used for rack mounting with Power Distribution Units (PDUs).

HP C13 - Nema 6-15P US 250V 15A JP 3.6m Power Cord AON33A  
HP C13 - Nema 5-15P US/CA 110V 10Amp 1.83m Power Cord AF556A

---

#### HP Tape Backup

**NOTE:** For the complete range of tape drives, autoloaders, libraries and media see: <http://www.hp.com/go/tape>. For hardware and software compatibility of HP tape backup products see: <http://www.hp.com/storage/SPOCK> and [www.hp.com/go/ebs](http://www.hp.com/go/ebs).  
**NOTE:** For Internal drives to be connected to DL servers please make sure that you order rack mount kit as well.

HP StoreEver LTO-3 Ultrium 920 SCSI External Tape Drive EH842B  
HP StoreEver LTO-5 Ultrium 3280 SAS External Tape Drive EH900B  
HP StoreEver LTO-4 Ultrium 1760 SAS External Tape Drive EH920B  
HP StoreEver LTO-4 Ultrium 1760 SCSI External Tape Drive EH922B  
HP StoreEver LTO-5 Ultrium 3000 SAS External Tape Drive EH958B  
HP StoreEver LTO-6 Ultrium 6250 Tape Drive in 1U Rack-mount Kit COL99A  
HP StoreEver LTO-6 Ultrium 6650 SAS Internal Tape Drive EH963A  
HP StoreEver LTO-6 Ultrium 6650 SAS External Tape Drive EH964A  
HP StoreEver LTO-6 Ultrium 6250 Internal Tape Drive EH969A  
HP StoreEver LTO-6 Ultrium 6250 External Tape Drive EH970A  
HP StoreEver 1/8 G2 LTO-6 Ultrium 6250 FC Tape Autoloader COH19A

---

#### HP Tape Storage Systems **HP StoreEver MSL6480**

HP StoreEver MSL6480 Scalable Base Module QU625A  
**NOTE:** Please see the QuickSpecs for Technical Specifications and additional information:  
[http://h18000.www1.hp.com/products/quickspecs/14604\\_na/14604\\_na.html](http://h18000.www1.hp.com/products/quickspecs/14604_na/14604_na.html)

---



### Additional Options

#### HP Disk Backup

**NOTE:** For the complete range of RDX drives and media see: <http://www.hp.com/go/rdx>. For hardware and software compatibility of HP disk backup products see: <http://www.hp.com/storage/SPOCK>.

#### HP RDX Removable Disk Backup System

HP RDX320 USB3.0 External Disk Backup System	B7B63A
HP RDX500 USB3.0 Internal Disk Backup System	B7B64A
HP RDX500 USB3.0 External Disk Backup System	B7B66A
HP RDX1000 USB3.0 Internal Disk Backup System	B7B67A
HP RDX1000 USB3.0 External Disk Backup System	B7B69A
HP RDX 2TB USB3.0 External Disk Backup System	E7X53A

**NOTE:** Please see the QuickSpecs for additional part numbers, Technical Specifications, and additional information:

[http://h18000.www1.hp.com/products/quickspecs/13036\\_na/13036\\_na.html](http://h18000.www1.hp.com/products/quickspecs/13036_na/13036_na.html)

#### HP Disk Storage Systems Disk Enclosures

HP D2600 w/12 4TB 6G SAS 7.2K LFF Dual Port MDL HDD 48TB Bundle	E7W32A
---	--------

**NOTE:** Please see the QuickSpecs for Technical Specifications and additional information:

[http://h18000.www1.hp.com/products/quickspecs/13404\\_na/13404\\_na.html](http://h18000.www1.hp.com/products/quickspecs/13404_na/13404_na.html)

#### HP Storage Options

#### Storage Fibre Channel HBA

**NOTE:** For the complete listing of Fibre Channel Host Bus Adapters for Windows 2000, Windows Server 2003 and Linux, please see:

<http://h18006.www1.hp.com/storage/saninfrastructure/hba.html>

#### Brocade Fibre Channel HBAs

HP 81B 8Gb 1-port PCIe Fibre Channel Host Bus Adapter	AP769B
HP 82B 8Gb 2-port PCIe Fibre Channel Host Bus Adapter	AP770B

#### Emulex Fibre Channel HBAs

HP 81E 8Gb 1-port PCIe Fibre Channel Host Bus Adapter	AJ762B
HP 82E 8Gb 2-port PCIe Fibre Channel Host Bus Adapter	AJ763B
HP SN1000E 16Gb 1-port PCIe Fibre Channel Host Bus Adapter	QR558A
HP SN1000E 16Gb 2-port PCIe Fibre Channel Host Bus Adapter	QR559A
HP StoreFabric SN1100E 16Gb Single Port Fibre Channel Host Bus Adapter	C8R38A
HP StoreFabric SN1100E 16Gb Dual Port Fibre Channel Host Bus Adapter	C8R39A

#### QLogic Fibre Channel HBAs

HP 81Q 8Gb 1-port PCIe Fibre Channel Host Bus Adapter	AK344A
HP 82Q 8Gb 2-port PCIe Fibre Channel Host Bus Adapter	AJ764A
HP StoreFabric SN1000Q 16GB 1-port PCIe Fibre Channel Host Bus Adapter	QW971A
HP StoreFabric SN1000Q 16GB 2-port PCIe Fibre Channel Host Bus Adapter	QW972A

#### Converged Network Adapter

HP CN1100E Dual Port Converged Network Adapter	BK835A
--	--------

### Additional Options

HP CN1000Q Dual Port Converged Network Adapter	BS668A
HP StoreFabric CN1100R Dual Port Converged Network Adapter	QW990A

---

#### HP Uninterruptible Power Systems

##### HP Rack-mountable UPS

##### R5000 Uninterruptible Power System (UPS)

HP R1.5kVA G3 1U NA Uninterruptible Power System AF469A

**NOTE:** Please see the QuickSpecs for additional information:

[http://h18000.www1.hp.com/products/quickspecs/14059\\_na/14059\\_na.html](http://h18000.www1.hp.com/products/quickspecs/14059_na/14059_na.html)

##### HP R/T3000 G2 Uninterruptible Power System (UPS)

HP R/T3000 G2 2U L530 Low Voltage NA/JP Uninterruptible Power System AF466A

HP R/T3000 G2 2U L620 High Voltage NA/JP Uninterruptible Power System AF467A

**NOTE:** Please see the QuickSpecs for additional information:

[http://h18000.www1.hp.com/products/quickspecs/14058\\_na/14058\\_na.html](http://h18000.www1.hp.com/products/quickspecs/14058_na/14058_na.html)

##### R5000 Uninterruptible Power System (UPS)

HP R5KVA 3U L630 High Voltage NA/JP Uninterruptible Power System AF460A

**NOTE:** Please see the QuickSpecs for additional information:

[http://h18000.www1.hp.com/products/quickspecs/14109\\_na/14109\\_na.html](http://h18000.www1.hp.com/products/quickspecs/14109_na/14109_na.html)

##### R7000 Uninterruptible Power System (UPS)

HP R7KVA 4U 50A High Voltage NA/JP Uninterruptible Power System AF462A

**NOTE:** Please see the QuickSpecs for additional information:

[http://h18000.www1.hp.com/products/quickspecs/14110\\_na/14110\\_na.html](http://h18000.www1.hp.com/products/quickspecs/14110_na/14110_na.html)

**NOTE:** For additional information on HP Uninterruptible Power Systems please go to:  
[www.hp.com/servers/rackups](http://www.hp.com/servers/rackups).

**NOTE:** For additional information on sizing your server, please reference:  
<http://www.upssizer.com>.

**NOTE:** Please see the UPS and PDU cable matrix's on the HP Power Protection and Management page. Under Power Cords, click on the "HP Power Cord Matrix" link. That link will list cable descriptions, requirements, and specifications for UPS and PDU units. Please see the following link: [www.hp.com/products/powercords](http://www.hp.com/products/powercords).

---

### Additional Options

<b>HP Basic Power Distribution Units (bPDU)</b>	<b>HP Basic Power Distribution Unit: 1U/0U Version</b>	
	HP 1.9kVA 120 Volt 12 Outlet NA/JP Basic Power Distribution Unit	H5M54A
	HP 3.6kVA 200-240 Volt 12 Outlet WW Basic Power Distribution Unit	H5M56A
	<b>HP Basic Power Distribution Unit: Half Height Version</b>	
	HP 2.8kVA 120 Volt 18 Outlet NA/JP Basic Power Distribution Unit	H5M55A
	HP 3.6kVA 200-240 Volt 20 Outlet WW Basic Power Distribution Unit	H5M57A
	HP 4.9kVA 208 Volt 20 Outlet NA/JP Basic Power Distribution Unit	H5M58A
	HP 8.6kVA 208 Volt Three Phase 18 Outlet NA/JP Basic Power Distribution Unit	H5M61A
	<b>HP Basic Power Distribution Unit: Mid Height Version</b>	
	HP 4.9kVA 208 Volt 30 Outlet NA/JP Basic Power Distribution Unit	H5M59A
	HP 8.3kVA 208 Volt 36 Outlet NA/JP Basic Power Distribution Unit	H5M60A
	HP Hardwired 200-240 Volt 36 Outlet WW Basic Power Distribution Unit	H5M75A
	HP 5.7kVA 208 Volt Three Phase 27 Outlet NA/JP Dual Voltage Basic Power Distribution Unit	H5M63A
	HP 8.6kVA 208 Volt Three Phase 30 Outlet NA/JP Dual Voltage Basic Power Distribution Unit	H5M64A
	HP 8.6kVA 208 Volt Three Phase 30 Outlet NA/JP Basic Power Distribution Unit	H5M62A
	<b>HP Basic Power Distribution Unit: Full Height Version</b>	
	HP 11kVA 400 Volt Three Phase 42 Outlet NA Basic Power Distribution Unit	H5M67A
	<b>HP Basic Power Distribution Unit: 480/277 Volt Version</b>	
	HP 13.2kVA 480 Volt Three Phase 15 Outlet NA Basic Power Distribution Unit	H3X07A
	HP 19.9kVA 480 Volt Three Phase 30 Outlet NA Basic Power Distribution Unit	H3X08A
	HP 800VA - 277V Input / 230V Output NA Rack Mount Transformer	H3X09A
	<b>NOTE:</b> Please see the QuickSpecs for Technical Specifications and additional information: <a href="http://h18000.www1.hp.com/products/quickspecs/14557_na/14557_na.html">http://h18000.www1.hp.com/products/quickspecs/14557_na/14557_na.html</a>	
	<b>NOTE:</b> Additional HP Power Distribution Units are available. For a complete list of all HP PDUs and additional information please visit <a href="http://www.hp.com/go/rackandpower">www.hp.com/go/rackandpower</a> .	

### Additional Options

<b>HP Remote Monitoring Power Distribution Units (mPDU)</b>	<b>HP Remote Monitored Power Distribution Unit: 1U Version</b>	
	HP 2.8kVA 120 Volt 12 Outlet NA/JP Monitored Power Distribution Unit	D9N43A
	HP 3.6kVA 200-240 Volt 12 Outlet WW Monitored Power Distribution Unit	D9N46A
	HP 4.9kVA 208 Volt 12 Outlet NA/JP Monitored Power Distribution Unit	D9N44A
	<b>HP Remote Monitored Power Distribution Unit: Half Height Version</b>	
	HP 3.6kVA 200-240 Volt 16 Outlet WW Monitored Power Distribution Unit	D9N45A
	<b>HP Remote Monitored Power Distribution Unit: Mid Height Version</b>	
	HP 4.9kVA 208 Volt 24 Outlet NA/JP Monitored Power Distribution Unit	D9N47A
	HP 8.6kVA 208 Volt Three Phase 21 Outlet NA/JP Monitored Power Distribution Unit	D9N51A
	HP 5.7kVA 208 Volt Three Phase 21 Outlet NA/JP Dual Voltage Monitored Power Distribution Unit	D9N52A
	HP 8.6kVA 208 Volt Three Phase 24 Outlet NA/JP Dual Voltage Monitored Power Distribution Unit	D9N53A
	<b>HP Remote Monitored Power Distribution Unit: Full Height Version</b>	
	HP 8.3kVA 208 Volt 33 Outlet NA Monitored Power Distribution Unit	D9N49A
	HP 14.4kVA 208 Volt Three Phase 24 Outlet NA Monitored Power Distribution Unit	D9N58A
	HP 16.6kVA 400 Volt Three Phase 33 Outlet NA Monitored Power Distribution Unit	D9N61A
	HP 17.3kVA 208 Volt Three Phase 27 Outlet NA/JP Monitored Power Distribution Unit	D9N54A
	HP 17.3kVA 208 Volt Three Phase 24 Outlet NA/JP Monitored Power Distribution Unit	D9N59A
	HP 16.6kVA 400 Volt Three Phase 24 Outlet NA Monitored Power Distribution Unit	D9N62A
	HP 19.9kVA 480 Volt Three Phase 30 Outlet NA Monitored Power Distribution Unit	D9N63A
	<b>HP Environmental Sensor for Remote Monitored PDUs</b>	
HP Environmental Sensor for Remote Monitored PDUs	E2D53A	
<b>NOTE:</b> Please see the QuickSpecs for additional information: <a href="http://h18000.www1.hp.com/products/quickspecs/14669_na/14669_na.html">http://h18000.www1.hp.com/products/quickspecs/14669_na/14669_na.html</a>		

<b>HP Intelligent Power Distribution Units (iPDU)</b>	<b>iPDU Core Units</b>	
	HP 4.9kVA 24A Single Phase NA/JP Core Intelligent Modular Power Distribution Unit	AF520A
	HP 8.3kVA 40A Single Phase NA/JP Core Intelligent Modular Power Distribution Unit	AF521A
	HP 8.6kVA 24A Three Phase NA/JP Core Intelligent Modular Power Distribution Unit	AF522A
	HP 14.4kVA 40A Three Phase NA/JP Intelligent Modular Power Distribution Unit	AF533A
	HP 17.3kVA 48A Three Phase NA/JP Core Intelligent Modular Power Distribution Unit	AF523A
	HP 17.3kVA 24A 415V Three Phase L22-30 NA Core Intelligent Power Distribution Unit	AF902A
	HP 17.3kVA 48A 208V Three Phase 12 Outlet Core NA/JP Intelligent Power Distribution Unit	AF535A
	HP 17.3kVA 24A 415V Three Phase 12 Outlet Core NA/JP Intelligent Power Distribution Unit	AF537A
	<b>iPDU Kits with Standard Extension Bars</b>	
	HP 4.9kVA 24A Single Phase NA/JP Intelligent Modular Power Distribution Kit	AF531A
	HP 8.6kVA 24A Three Phase NA/JP Intelligent Modular Power Distribution Kit	AF532A
	<b>iPDU Extension Bars</b>	

### Additional Options

HP 5x13 Intelligent PDU Extension Bar G2 Kit	AF547A
HP 5x13 Outlets Power and UID LEDs Pair Standard Extension Bar	AF528A

**NOTE:** Please see the QuickSpecs for Technical Specifications and additional information:

[http://h18000.www1.hp.com/products/quickspecs/13650\\_na/13650\\_na.html](http://h18000.www1.hp.com/products/quickspecs/13650_na/13650_na.html)

**NOTE:** Additional HP Power Distribution Units are available. For a complete list of all HP PDUs and additional information please visit: [www.hp.com/go/rackandpower](http://www.hp.com/go/rackandpower).

### HP Rack Series

#### HP Intelligent Series Rack

HP 636 1075mm Pallet Intelligent Series Rack	BW895A
HP 636 1075mm Shock Intelligent Series Rack	BW896A
HP 642 1075mm Pallet Intelligent Series Rack	BW903A
HP 642 1075mm Shock Intelligent Series Rack	BW904A
HP 647 1075mm Pallet Intelligent Series Rack	BW911A
HP 647 1075mm Shock Intelligent Series Rack	BW912A

**NOTE:** Please see the QuickSpecs for Technical Specifications such as height, width, depth, weight, and color:

[http://h18000.www1.hp.com/products/quickspecs/14223\\_na/14223\\_na.html](http://h18000.www1.hp.com/products/quickspecs/14223_na/14223_na.html)

**NOTE:** For additional information regarding Rack Cabinets, please see the following URL: <http://www.hp.com/go/rackandpower>.

### HP Rack Options

#### HP Location Discovery Services

HP 36U Location Discovery Kit	BW945A
HP 42U Location Discovery Kit	BW946A
HP 47U Location Discovery Kit	BW947A

**NOTE:** Please see the QuickSpecs for Technical Specifications and additional information:

[http://h18000.www1.hp.com/products/quickspecs/14429\\_na/14429\\_na.html](http://h18000.www1.hp.com/products/quickspecs/14429_na/14429_na.html)

#### HP USB Keyboard and Mouse

HP USB BFR with PVC Free US Keyboard/Mouse Kit	631341-B21
--	------------

**NOTE:** Please see the QuickSpecs for Technical Specifications and additional information:

[http://h18000.www1.hp.com/products/quickspecs/13972\\_na/13972\\_na.html](http://h18000.www1.hp.com/products/quickspecs/13972_na/13972_na.html)

#### HP TFT7600 G2 KVM Console Rackmount Keyboard Monitor

HP TFT7600 G2 KVM Console Rackmount Keyboard US Monitor	AZ870A
HP TFT7600 G2 KVM Console Rackmount Keyboard US TAA Monitor	AZ885A

**NOTE:** Please see the QuickSpecs for Technical Specifications and additional information:

[http://h18000.www1.hp.com/products/quickspecs/13731\\_na/13731\\_na.html](http://h18000.www1.hp.com/products/quickspecs/13731_na/13731_na.html)

#### HP Server Console Switches

HP Server Console 0x2x8 Port Analog Switch	AF616A
HP Server Console 0x2x16 Port Analog Switch	AF617A

### Additional Options

HP TAA 0x2x16xKVM Server Console G2 Switch AF626A

**NOTE:** Please see the QuickSpecs for Technical Specifications and additional information:

[http://h18000.www1.hp.com/products/quickspecs/11834\\_na/11834\\_na.html](http://h18000.www1.hp.com/products/quickspecs/11834_na/11834_na.html)

#### HP Server Console Switch G2 with Virtual Media & CAC

HP 0x2x16 KVM Server Console Switch G2 with Virtual Media CAC Software AF618A

HP 0x2x32 KVM Server Console Switch G2 with Virtual Media CAC Software AF619A

HP KVM CAT5 1-pack USB Interface Adapter 336047-B21

**NOTE:** Please see the QuickSpecs for Technical Specifications and additional information:

[http://h18000.www1.hp.com/products/quickspecs/13475\\_na/13475\\_na.html](http://h18000.www1.hp.com/products/quickspecs/13475_na/13475_na.html)

#### HP IP Console Switch G2 with Virtual Media & CAC

HP 1x4 USB/PS2 KVM Console Switch AF611A

HP 1x1Ex8 KVM IP Console Switch G2 with Virtual Media CAC Software AF620A

HP 2x1Ex16 KVM IP Console Switch G2 with Virtual Media CAC Software AF621A

HP 4x1Ex32 KVM IP Console Switch G2 with Virtual Media CAC Software AF622A

**NOTE:** Please see the QuickSpecs for Technical Specifications and additional information:

[http://h18000.www1.hp.com/products/quickspecs/13474\\_na/13474\\_na.html](http://h18000.www1.hp.com/products/quickspecs/13474_na/13474_na.html)

### HP USB and SD Options

#### HP Flash Media Kits for USB Drives

HP 2GB USB Flash Media Drive Key Kit 608447-B21

**NOTE:** HP qualified blank USB key for use with HP ProLiant servers that support the VMware virtualization environment and other HP value-add software. HP recommends this industry standard USB flash device for use with VMware ESXi. USB device must be installed in the internal slot of the ProLiant server for use with VMware ESXi. Refer to HP VMware Getting Started Guide for installation instructions.

HP 8GB USB Enterprise Mainstream Flash Media Drive Key Kit 737953-B21

#### HP Enterprise Mainstream Flash Media Kits for Memory Cards

HP 8GB microSD Enterprise Mainstream Flash Media Kit 726116-B21

HP 32GB microSD Enterprise Mainstream Flash Media Kit 700139-B21

**NOTE:** Please see the QuickSpecs for Technical Specifications and additional information:

[http://h18000.www1.hp.com/products/quickspecs/13971\\_na/13971\\_na.html](http://h18000.www1.hp.com/products/quickspecs/13971_na/13971_na.html)

#### Other USB and SD Options

HP USB Standard Keyboard DT528A ABA DT528A#ABA

### Additional Options

#### HP Care Pack Services

#### Proactive Care

**NOTE:** Collaborative Support plus Proactive services delivered by the onshore, local language Advanced Solution Center (ASC), end-to-end case ownership from a Technical Solution Specialists and Technical Account Manager who remotely delivers firmware/software revision management, proactive scans and incident trend reports. Recommended for customers running a virtualized infrastructure and/or customers who desire an enhanced call support experience.

HP 3 year 4 hour 24x7 ProLiant DL560 Proactive Care Service	U6H10E
HP 3 year 4 hour 24x7 with Defective Media Retention ProLiant DL560 Proactive Care Service	U6H11E
HP 3 year 6 hour Call To Repair 24x7 ProLiant DL560 Proactive Care Service	U6H16E
HP 3 year 6 hour Call To Repair 24x7 w/Defective Media Retention ProLiant DL560 Proactive Care Serv	U6H17E
HP 3 year 4 hour 24x7 ProLiant DL560 with Insight Control Proactive Care Service	U6H90E
HP 3 year 4 hour 24x7 w/Defective Media Retention DL560 with Insight Control Proactive Care Service	U6H91E
HP 3 year 6 hour Call To Repair 24x7 ProLiant DL560 with Insight Control Proactive Care Service	U6H92E
HP 3 yr 6hr CallToRepair 24x7 w/Defective Media Retention DL560 w/Insight Control Proactive Care SVC	U6H93E

#### Proactive Care Personalized Support Option

**NOTE:** To add an onsite Account Support Manager (ASM) to Proactive Care. ASM is an assigned resource who delivers support planning and brings technical expertise and best practices advices for the customer's environment.

HP 3 year ISS ProactiveCare Personalized Support	U6W98E
--	--------

#### Installation Services

**NOTE:** Reduce the time required to get your system up and running and help minimize disruptions to your business.

HP Install ProLiant DL560 Service	U6H58E
HP Startup ProLiant DL560 Service	U6H60E
HP Startup non Standard Hours ProLiant DL560 Service	U6H61E
HP Installation Non Standard Hours ProLiant DL560 Service	U6H59E
HP Installation of ProLiant Add On/In Options Service	UH745E
HP Installation and Startup for Insight Control Server Deployment - previously Rapid Deployment Pack	U5683E

**NOTE:** For more information, customer/resellers can contact:  
<http://www.hp.com/services/carepack>.



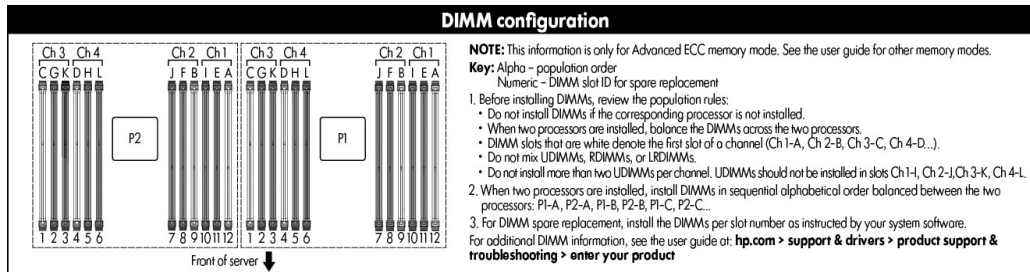
### Memory

For detailed memory configuration rules and guidelines, please use the Online DDR3 Memory Configuration Tool: [www.hp.com/go/ddr3memory-configurator](http://www.hp.com/go/ddr3memory-configurator)

#### Memory Subsystem Architecture

Each Intel® Xeon® E5-4600 family and E5-4600v2 family processor socket contains four memory channels that support three DIMMs each for a total of twelve (12) DIMM per installed processor or a grand total of forty-eight (48) DIMMs for the server. Up to 32GB capacity DIMMs are supported for 1.5TB of memory (48 DIMM slots x 32GB per DIMM).

#### Memory population guidelines



#### General Memory Population Rules and Guidelines:

- White DIMM slots denote the first slot of a channel. For 1 DPC (DIMM per channel) populate white slots only.
- Install DIMMs only if the corresponding processor is installed.
- If only one processor is installed, only a quarter of the DIMM slots (12) are available. If only two processors are installed, only half of the DIMM slots (24) are available.
- To maximize performance, it is recommended to balance the total memory capacity between all installed processors and to load the channels similarly whenever possible.
- Populate DIMMs from heaviest load (quad-rank) to lightest load (single-rank) within a channel. Heaviest load (DIMM with most ranks) within a channel goes furthest from the processor
- RDIMMs operating at either 1.35V or 1.5V may be mixed in any order, but the system will power them at the higher voltage.
- Do not mix RDIMMs and LRDIMMs.
- LRDIMMs are supported up to 3 DIMMs per channel.
- Using the HP RBSU, 1.35V DIMMs can be changed to operate at 1.5V.
- DIMMs of different speeds may be mixed in any order; the server will select a common optimal speed.
- The maximum memory speed is a function of the memory type, memory configuration, and processor model.
- The maximum memory capacity is a function of the memory type and number of installed processors.
- HP memory from previous generation servers is not qualified on the DL560 Gen8 Server. Certain HP SmartMemory features such as memory authentication and enhanced performance may not be supported.
- To realize the performance memory capabilities listed in this document, HP SmartMemory is required. For additional information, please see the HP SmartMemory QuickSpecs at: [http://h18000.www1.hp.com/products/quickspecs/14225\\_na/14225\\_na.html](http://h18000.www1.hp.com/products/quickspecs/14225_na/14225_na.html).
- For memory population rules and additional memory guidelines, please see the DL560 Gen8 user guide at <http://www.hp.com/support>.



### Memory

DL560 Gen8 Supported Memory Bandwidth and Capacity on Intel® Xeon® E5-4600 v2 series Processors							
DIMM Type	Registered DIMMS (RDIMMs)						Load Reduced (LRDIMMs)
DIMM Rank	Single Rank (1R)			Dual Rank (2R)			Quad Rank (4R)
DIMM Capacity	4GB	4GB	8GB	8GB	16GB	16GB	32GB
DIMM Native Speed (MHz)	1600	1866	1600	1866	1600	1866	1866
Voltage	LV	Std	LV	Std	LV	Std	Std
<b>SLOTS THAT CAN BE POPULATED</b>							
48 slot servers	48	48	48	48	48	48	48
<b>MAXIMUM CAPACITY (GB)*</b>							
48 slot servers	192	192	384	384	768	768	1536
<b>POPULATED DIMM SPEED (MHz)</b>							
1 DIMM Per Channel	1600	1866	1600	1866	1600	1866	1866
2 DIMM Per Channel	1600	1866	1600	1866	1600	1866	1600
3 DIMM Per Channel	800***	1066***	800***	1066***	800***	1066***	1333***
<b>NOTES:</b>							
Memory speed is a function of the processor QPI bus speed. To realize the performance memory capabilities listed above HP SmartMemory is required.							
* Maximum capacity will vary based on individual server platform qualification schedule							
*** LRDIMMs enable 3 DIMMs per channel. HP SmartMemory will support up to 3DPC@1600 at 1.35V. Third party memory may only support 3DPC @1600 at 1.5V.							
## RBSU setting required							
### with IVB processor							

### Memory

DL560 Gen8 Supported Memory Bandwidth and Capacity on Intel® Xeon® E5-4600 series								
DIMM Type	Registered DIMMS (RDIMMs)							Load Reduced (LRDIMMs)
DIMM Rank	Single Rank (1R)			Dual Rank (2R)				Quad Rank (4R)
DIMM Capacity	4GB	4GB	8GB	8GB	8GB	16GB	16GB	32GB
DIMM Native Speed (MHz)	1333	1600	1600	1333	1600	1333	1600	1333
Voltage	LV	Std	Std	LV	Std	LV	Std	LV
<b>SLOTS THAT CAN BE POPULATED</b>								
48 slot servers	48	48	48	48	48	48	48	48
<b>MAXIMUM CAPACITY (GB)*</b>								
48 slot servers	192	192	384	384	384	768	768	1536
<b>POPULATED DIMM SPEED (MHz)</b>								
1 DIMM Per Channel	1333	1600	1600	1333	1600	1333	1600	1333***
2 DIMM Per Channel	1333	1600	1600	1333	1600	1333	1600	1333***
3 DIMM Per Channel	1066**	1333##	1333##	1066**	1333##	1066**	1333##	1066
<b>NOTES:</b>								
Memory speed is a function of the processor QPI bus speed. To realize the performance memory capabilities listed above HP SmartMemory is required.								
* Maximum capacity will vary based on individual server platform qualification schedule								
** For HP SmartMemory RDIMM supports up to 3DPC@1066 at 1.35V. Third party memory may only support up to 3DPC@1066 at 1.5V.								
*** LRDIMMs enable 3 DIMMs per channel. HP SmartMemory will support up to 3DPC@1066 at 1.35V. Third party memory may only support 3DPC @1066 at 1.5V.								
## RBSU setting required								

### Memory Speed by Processor Model

Intel® Xeon® E5-4600 series v2 Processor Models	Supported Memory Speeds
E5-4650v2, E5-4640v2,, E5-4657Lv2, E5-4627v2	1866/1600/1333/1066/800MHz
E5-4620v2,E5-4610v2	1600/1333/1066/800MHz
E5-4607v2, E5-4603v2	1333/1066/800MHz

Intel® Xeon® E5-4600 series Processor Models	Supported Memory Speeds
E5-4650, E5-4650L, E5-4640, E5-4617	1600/1333/1066/800MHz
E5-4620, E5-4610	1333/1066/800MHz
E5-4607, E5-4603	1066/800MHz

### Memory

Standard and Maximum Memory Capacity (Pre-configured Models)  
DL560 Gen8 with Intel® Xeon® E5-4600 v2 series Processors

Pre Configured Models	Standard Memory	Maximum Memory Plus Optional Memory	Standard Memory Replaced with Optional Memory
Intel Xeon E5-4640 v2	128GB (16x 8GB)	704GB (32x16GB, 2x8GB)	1.5TB (48 x 32GB)
Intel Xeon E5-4610 v2	32GB (4x 8GB)	736GB (44x16GB, 4x4GB)	1.5TB (48 x 32GB)
Intel Xeon E5-4603 v2	16GB (2x 8GB)	752GB (46x16GB, 1x4GB)	1.5TB (48 x 32GB)

Pre Configured Models	Standard Memory	Maximum Memory Plus Optional Memory	Standard Memory Replaced with Optional Memory
Intel Xeon E5-4640	64GB (8x 8GB)	704GB (40x16GB, 4x8GB)	1.5TB (48 x 32GB)
Intel Xeon E5-4610	32GB (4x 8GB)	736GB (44x16GB, 4x4GB)	1.5TB (48 x 32GB)
Intel Xeon E5-4603	16GB (2x 8GB)	752GB (46x16GB, 1x4GB)	1.5TB (48 x 32GB)

#### DIMM slot and configuration diagrams

##### Basic memory slot & population diagram

Population order; start with "A" first, "B" second, "C" third, etc.

When one processor is installed, install DIMMs in sequential alphabetic order: A, B, C, D, E, F ...

When two processors are installed, install DIMMs in sequential alphabetic order: CPU1-A, CPU2-A, CPU1-B, CPU2-B, CPU1-C, CPU2-C

48 DIMM SLOTS (12 per CPU node)					
		population order	slot #	population order	
Chnl 3	1	C	1	C	Chnl 3
	2	G	2	G	
	3	K	3	K	
Chnl 4	4	D	4	D	Chnl 4
	5	H	5	H	
	6	L	6	L	
<b>CPU1</b>			<b>CPU2</b>		
Chnl 2	7	J	7	J	Chnl 2
	8	F	8	F	
	9	B	9	B	
Chnl 1	10	I	10	I	Chnl 1
	11	E	11	E	
	12	A	12	A	

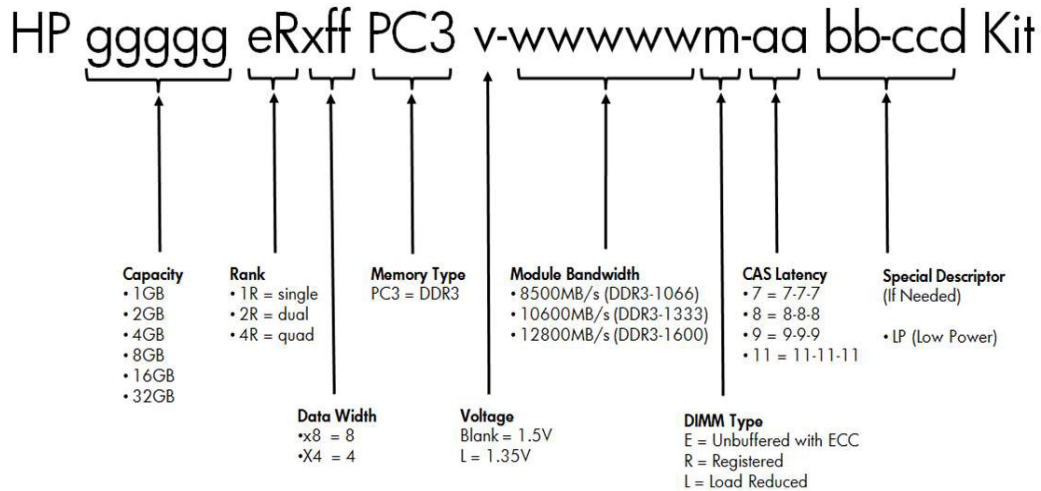
### Memory

		population order	slot #	population order	
Chnl 3	1	C	1	C	Chnl 3
	2	G	2	G	
	3	K	3	K	
Chnl 4	4	D	4	D	Chnl 4
	5	H	5	H	
	6	L	6	L	
<b>CPU3</b>			<b>CPU4</b>		
Chnl 2	7	J	7	J	Chnl 2
	8	F	8	F	
	9	B	9	B	
Chnl 1	10	I	10	I	Chnl 1
	11	E	11	E	
	12	A	12	A	

**NOTE:** Capacity references are rounded to the common Gigabyte values.

- 1GB = 1024MB
- 2GB = 2048MB
- 4GB = 4096MB
- 8GB = 8192MB
- 16GB = 16384MB
- 32GB = 32768MB

### DDR3 memory options part number decoder



### Memory

Following are memory options available from HP:

#### HP Memory

**NOTE:** HP memory from previous generation servers are not qualified or warranted with this HP ProLiant Server. HP SmartMemory is required to realize the memory performance improvements and enhanced functionality listed in this document for Gen8. For additional information, please see the HP SmartMemory QuickSpecs at: [http://h18000.www1.hp.com/products/quickspecs/14225\\_na/14225\\_na.html](http://h18000.www1.hp.com/products/quickspecs/14225_na/14225_na.html)

**NOTE:** LRDIMM and RDIMM are all distinct memory technologies and cannot be mixed within a server. The majority of ProLiant Gen8 servers support RDIMM, UDIMM and LRDIMM.

#### Registered DIMMs (RDIMMs) - E5-4600 v2 series Processors

HP 4GB (1x4GB) Single Rank x4 PC3L-12800R (DDR3-1600) Registered CAS-11 Low Voltage Memory Kit	713981-B21
HP 4GB (1x4GB) Single Rank x4 PC3-14900R (DDR3-1866) Registered CAS-13 Memory Kit	708637-B21
HP 8GB (1x8GB) Single Rank x4 PC3L-12800R (DDR3-1600) Registered CAS-11 Low Voltage Memory Kit	731765-B21
HP 8GB (1x8GB) Single Rank x4 PC3-14900R (DDR3-1866) Registered CAS-13 Memory Kit	731761-B21
HP 16GB (1x16GB) Dual Rank x4 PC3L-12800R (DDR3-1600) Registered CAS-11 Low Voltage Memory Kit	713985-B21
HP 16GB (1x16GB) Dual Rank x4 PC3-14900R (DDR3-1866) Registered CAS-13 Memory Kit	708641-B21

#### Load Reduced DIMMs (LRDIMM) - E5-4600 v2 series Processors

HP 32GB (1x32GB) Quad Rank x4 PC3-14900L (DDR3-1866) Load Reduced CAS-13 Memory Kit	708643-B21
---	------------

#### Registered DIMMs (RDIMM) - E5-2xxx and E5-4xxx series Processors

HP 4GB (1x4GB) Single Rank x4 PC3L-10600R (DDR3-1333) Registered CAS-9 Low Voltage Memory Kit	647893-B21
HP 4GB (1x4GB) Single Rank x4 PC3-12800R (DDR3-1600) Registered CAS-11 Memory Kit	647895-B21
HP 8GB (1x8GB) Dual Rank x4 PC3L-10600R (DDR3-1333) Registered CAS-9 Low Voltage Memory Kit	647897-B21
HP 8GB (1x8GB) Single Rank x4 PC3-12800R (DDR3-1600) Registered CAS-11 Memory Kit	647899-B21
HP 8GB (1x8GB) Dual Rank x4 PC3-12800R (DDR3-1600) Registered CAS-11 Memory Kit	690802-B21
HP 16GB (1x16GB) Dual Rank x4 PC3L-10600R (DDR3-1333) Registered CAS-9 Low Voltage Memory Kit	647901-B21
HP 16GB (1x16GB) Dual Rank x4 PC3-12800R (DDR3-1600) Registered CAS-11 Memory Kit	672631-B21

#### Load Reduced DIMMs (LRDIMM) - E5-2xxx and E5-4xxx series Processors

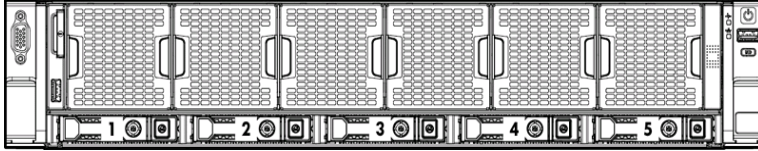
HP 32GB (1x32GB) Quad Rank x4 PC3L-10600L (DDR3-1333) Load Reduced CAS-9 Low Voltage Memory Kit	647903-B21
---	------------

**NOTE:** All DDR3 memory option kits consist of one DIMM per kit. For detailed memory configuration rules and guidelines, please use the Online DDR3 Memory Configuration Tool: [www.hp.com/go/ddr3memory-configurator](http://www.hp.com/go/ddr3memory-configurator).

**NOTE:** Kits described as LP include Low Power DIMMs. For more information on ProLiant Energy Efficient Features, see: [www.hp.com/go/proliant-energy-efficient](http://www.hp.com/go/proliant-energy-efficient)

**NOTE:** PC3L is a low voltage memory.

### Storage



1-5 Five SFF SAS hot plug drive bays

### Drive Support

#### External Storage

	<b>Quantity Supported</b>	<b>Position Supported</b>	<b>Host Controller or Adapter</b>
D2600 Disk Enclosure	Up to 4 Up to 8	External	HP Smart Array P222 Controller HP Smart Array P421 Controller HP Smart Array P822 Controller
D2700 Disk Enclosure	Up to 4 Up to 8	External	HP Smart Array P222 Controller HP Smart Array P421 Controller HP Smart Array P822 Controller

#### Maximum Storage Capacity - (with D2700, SAS HDD)

Internal	6TB (5 SFF HDs x 1.2TB SAS SFF)
External	240TB (200 x 1.2TB SAS SFF)
Total	246TB

### Technical Specifications

<b>System Unit</b>	<b>Dimensions</b> (H x W x D) (with bezel)	SFF Drives: 3.44 x 17.54 x 29.50 in (8.73 x 44.55 x 74.93 cm)	
	<b>Weight</b> (approximate)	Maximum (all SFF hard drives, power supply, and processor installed)	61.00 lb (27.66 kg)
<b>Input Requirements</b> (per power supply)	Rated Line Voltage		100 to 120 VAC 200 to 240 VAC
		Rated Input Current	For 1200 W Power Supply: 10 A (at 100 VAC), 4.9 A (at 200 VAC)
	Rated Input Frequency		50 to 60 Hz
	Rated Input Power		For 1200 W Power Supply: 930 W (at 100 VAC), 1348 W (at 200 VAC)
	<b>BTU Rating</b>	Maximum	
<b>Power Supply Output</b> (per power supply)	Rated Steady-State Power		For 1200 W Power Supply: 800 W (at 100 VAC), 900 W (at 120 VAC), 1200 W (at 200 to 240 VAC)
	Maximum Peak Power		For 1200 W Power Supply: 800 W (at 100 VAC), 900 W (at 120 VAC), 1200 W (at 200 to 240 VAC) For 750 W Power Supply: 750 W (at 100 to 120 VAC), 750 W (at 200 to 240 VAC) For 460 W Power Supply: 460 W (at 100 to 120 VAC), 460 W (at 200 to 240 VAC)
<b>System Inlet Temperature</b>	Operating		10° to 35°C (50° to 95°F) at sea level with an altitude derating of 1.0°C per every 304.8 m (1.8°F per every 1000 ft) above sea level to a maximum of 3048 m (10,000 ft), no direct sustained sunlight. Maximum rate of change is 10°C/hr (18°F/hr). The upper limit may be limited by the type and number of options installed.  System performance may be reduced if operating with a fan fault or above 30°C (86°F).
	Non-operating		-30° to 60°C (-22° to 140°F). Maximum rate of change is 20°C/hr (36°F/hr).
<b>Relative Humidity</b> (non-condensing)	Operating		10 to 90% relative humidity (Rh), 28°C (82.4°F) maximum wet bulb temperature, non-condensing.
	Non-operating		5 to 95% relative humidity (Rh), 38.7°C (101.7°F) maximum wet bulb temperature, non-condensing.

### Technical Specifications

<b>Altitude</b>	Operating	3048 m (10,000 ft). This value may be limited by the type and number of options installed. Maximum allowable altitude change rate is 457 m/min (1500 ft/min).
	Non-operating	9144 m (30,000 ft). Maximum allowable altitude change rate is 457 m/min (1500 ft/min).

**Acoustic Noise** Listed are the declared A-Weighted sound power levels (LWAd) and declared average bystander position A-Weighted sound pressure levels (LpAm) when the product is operating in a 23°C ambient environment. Noise emissions were measured in accordance with ISO 7779 (ECMA 74) and declared in accordance with ISO 9296 (ECMA 109). The listed sound levels apply to standard shipping configurations. Additional options may result in increased sound levels.

**NOTE:** The Listed sound levels apply to standard shipping configurations. Additional options may result in increased sound levels.

	<b>Entry</b>	<b>Base</b>	<b>Performance</b>
<b>Idle</b>			
L WAd	4.1 B	4.1 B	4.1 B
L pAm	25 dBA	25 dBA	25 dBA
<b>Operating</b>			
L WAd	4.3 B	4.7 B	5.0 B
L pAm	27 dBA	31 dBA	35 dBA
<b>Emissions Classification (EMC)</b>	<b>FCC Rating</b>	Class A	
	<b>Normative Standards</b>	CISPR 22; EN55022; EN55024; FCC CFR 47, Pt 15; ICES-003; CNS13438; GB9254; K22;K24; EN 61000-3-2; EN 61000-3-3; EN 60950-1; IEC 60950-1	

**NOTE:** Product conformance to cited product specifications is based on sample (type) testing, evaluation, or assessment. This product or family of products is eligible to bear the appropriate compliance logos and statements.

**NOTE:** The Listed sound levels apply to standard shipping configurations. Additional options may result in increased sound levels.



### Technical Specifications

<b>HP Smart Array P420i Controller</b>	<b>Dimensions</b>	Embedded
	<b>Disk Drive and Enclosure Interface - Transfer rate</b>	6Gb/s SAS (Serial Attached SCSI) 6Gb/s SATA (Serial ATA)
	<b>SAS Connectors</b>	2 internal 4X connectors
	<b>Cache Memory Speed</b>	512MB FBWC - DDR3-1333MHz with 40-bit wide bus, 1GB or 2GB FBWC DDR3-1333MHz with 72-bit wide bus
	<b>Server Interface</b>	x8 PCIe 3.0 provides 2GB/s maximum bandwidth
	<b>SAS Speed</b>	(8) 6Gb/s SAS links provide 4.8GB/s maximum bandwidth
	<b>Cache Memory</b>	Zero Memory RAID has no cache memory 40-bit 512MB FBWC 72-bit 1GB FBWC or 72-bit 2GB FBWC
	<b>Logical Drives Supported</b>	Zero Memory, Up to 2 logical volumes (5SFF physical drives) Up to 64 logical drives with cache
	<b>Host Memory Addressing</b>	64-bit, supporting greater than 4GB server memory space
	<b>RAID Support</b>	RAID 6, 60 (Advanced Data Guarding) RAID 5, 50 (Distributed Data Guarding) <b>NOTE:</b> A minimum of 512 MB cache is required to enable RAID 5, 50, 6, 60 <b>NOTE:</b> HP Smart Array Advanced Pack (SAAP 2.0) is no longer required to enable RAID 6 & 60 (Advanced Data Guarding). However, controller must be in firmware version 4.68 (or later). RAID 1+0 (Striping & Mirroring) RAID 0 (Striping), RAID 1 (Mirroring)

<b>HP Ethernet 1Gb 4-port 331FLR Adapter</b>	<b>HP Flexible Network Technology</b>	HP Flexible Network Technology consists of replaceable network solutions to meet the customers require now or in the future.	
	<b>Network Interface</b>	10Base-T/100Base-TX/1000Base-TX	
	<b>Compatibility</b>	EEE 802.3 10Base-T IEEE 802.3ab 1000Base-T IEEE 802.3u 100Base-TX IEEE 802.3ad 1000Base-TX IEEE 802.1p 100Base-TX IEEE 802.1q 100Base-TX	
	<b>Data Transfer Method</b>	PCI Express, four lanes (x4)	
	<b>Chipset</b>	BCM5719	
	<b>Network Transfer Rate</b>	10Base-T (Half-Duplex)	10 Mb/s
		10Base-T (Full-Duplex)	20 Mb/s
		100Base-TX (Half-Duplex)	100 Mb/s
		100Base-TX (Full-Duplex)	200 Mb/s
		1000Base-TX (Half and Full-Duplex)	2000Mb/s
<b>Connector</b>	Four RJ-45		
<b>Cable Support</b>	10Base-T	Categories 3, 4 or 5 UTP;	

### Technical Specifications

100Base-TX	up to 328 ft (100 m) Category 5 or higher UTP; up to 328 ft (100 m)
1000BaseTX	Category 5 or higher UTP; up to 328 ft (100 m)

#### HP Ethernet 10Gb 2-port 530FLR-SFP+ Adapter

#### Network Interface Compatibility

SFP+ for Direct Attach Cable copper or fibre  
EEE 802.3 SFP+ (SX, SR & LR)  
IEEE 802.3x  
IEEE 802.3ad  
IEEE 802.1q  
IEEE 802.3x  
IEEE 802.1au  
IEEE 802.3ap

#### Data Transfer Method

PCI Express, eight lanes (x8)

#### Chipset

BCM57810S

#### Network Transfer Rate

10Base-T (Half-Duplex)	10Gbps
10Base-T (Full-Duplex)	1Gbps

#### Connector

Two SFP+

#### Cable Support

10Base-T	Categories 3, 4 or 5 UTP; up to 328 ft (100 m)
100Base-TX	Category 5 or higher UTP; up to 328 ft (100 m)
1000BaseTX	Category 5 or higher UTP; up to 328 ft (100 m)

#### Environment-friendly Products and Approach

#### End-of-life Management and Recycling

Hewlett-Packard offers end-of-life HP product return, trade-in, and recycling programs in many geographic areas. For trade-in information, please go to: <http://www.hp.com/go/green>. To recycle your product, please go to: <http://www.hp.com/go/green> or contact your nearest HP sales office. Products returned to HP will be recycled, recovered or disposed of in a responsible manner.

The EU WEEE directive (2002/95/EC) requires manufacturers to provide treatment information for each product type for use by treatment facilities. This information (product disassembly instructions) is posted on the Hewlett Packard web site at: <http://www.hp.com/go/green>. These instructions may be used by recyclers and other WEEE treatment facilities as well as HP OEM customers who integrate and re-sell HP equipment.

### Technical Specifications

© Copyright 2014 Hewlett-Packard Development Company, L.P.

The information contained herein is subject to change without notice.

Microsoft and Windows NT are US registered trademarks of Microsoft Corporation. Unix is a registered trademark of The Open Group. Intel, the Intel logo, Xeon and Xeon Inside are trademarks of Intel Corporation in the U.S. and other countries.

The only warranties for HP products and services are set forth in the express warranty statements accompanying such products and services. Nothing herein should be construed as constituting an additional warranty. HP shall not be liable for technical or editorial errors or omissions contained herein.

For hard drives, 1GB = 1 billion bytes. Actual formatted capacity is less.